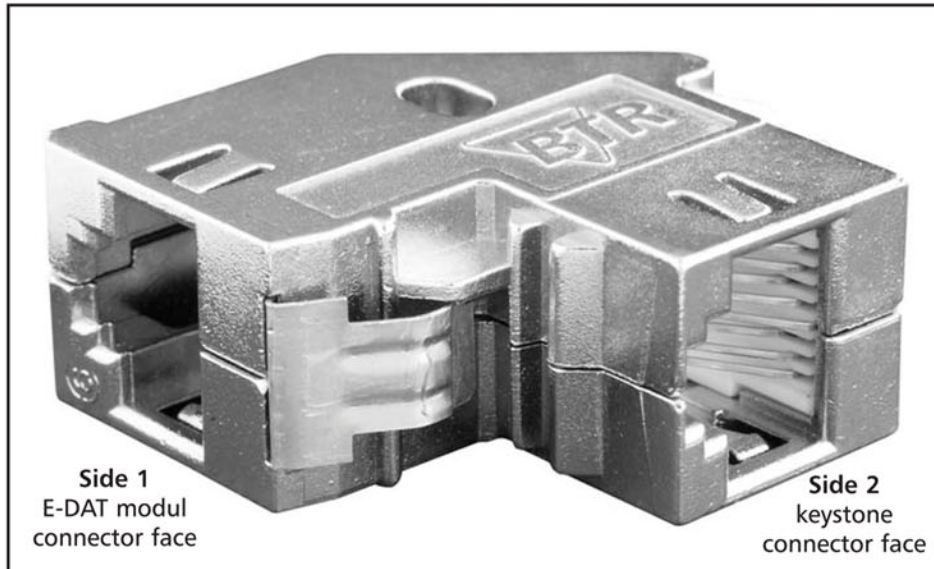
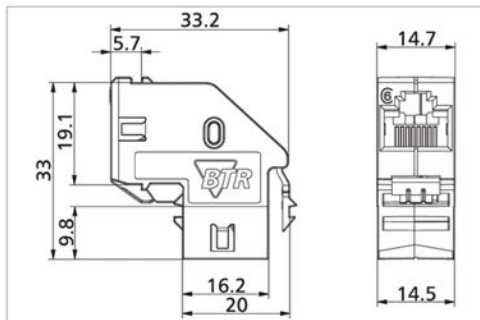


## E-DAT<sup>modul</sup> Coupler 8(8) 90° C6



- Class E / Cat.6 Link
- two mounting types in one coupler
- fits in E-DAT modul applications (**side 1**)
- fits in keystone applications (**side 2**)
- very compact design
- for connections in a 90 degree angle
- especially suited to be mounted to E-DAT industryIP67 mounting flange and E-DAT faceplate
- 90 degree angle of outgoing cable provides small installation depth



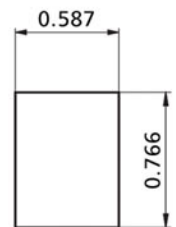
Version	P/N
E-DAT modul Coupler 8(8) 90° C6	1309A1-I

Packing unit: 10 pcs weight: 300 g

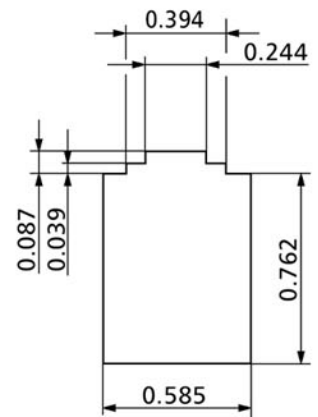
### Matching E-DAT modul applications (side 1)

- E-DAT industryIP67 EBM
- Mounting Flange for E-DAT modul without mounting kit / with mounting kit
- E-DAT faceplate
- E-DAT jack box enclosure without faceplate
- \*AP = surface mount
- \*\*UP = flush mount

**Note:**  
Part numbers see E-DAT modul catalog  
Coupler dimensions (mm)  
Cut-out dimensions (inch)



Dimensions Keystone Cut-out



Dimensions E-DAT Cut-out