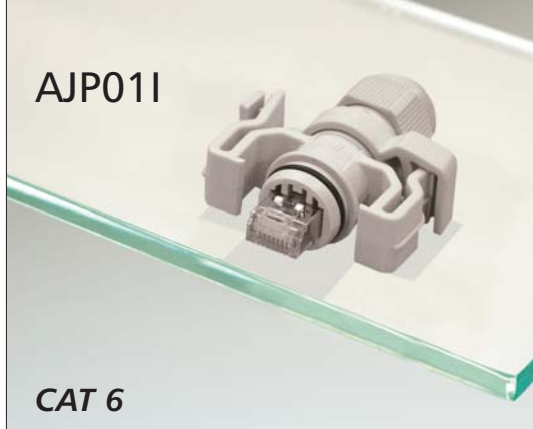


AJP011**CAT 6**

51

For electrical specifications see page 5

Description AJP011CAT 6
IP67
IDC**Technical Data AJP011**

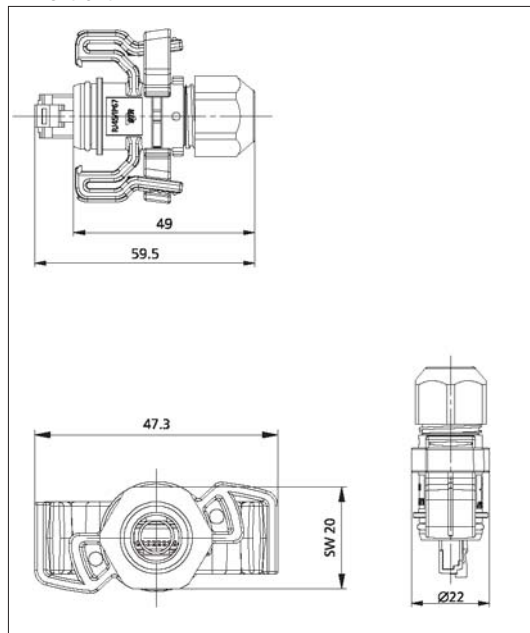
Housing: PA 66 UL94V-0
Standard color light grey

Contact: 0.4mm thickness phosphor bronze alloy
selective gold plating over nickel

Plating: 7u" gold

CAT 6 EIA/TIA 568B 2.1

Dimensions in mm

**Ordering Information**

AJP011	8	8	1	7
Type	Positions	Contacts	Ports	Plating 7u"