

**AJT011**



**CAT 6**

**AJT021**



**CAT 6**

For electrical specifications see page 5

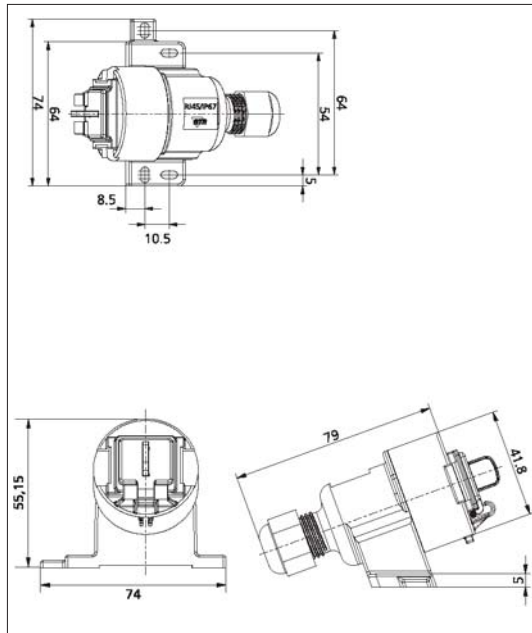
**Description AJT011**

Side entry  
CAT 6  
IP67  
IDC

**Technical Data AJT011**

Housing: PA 66 UL94V-0  
Standard color light grey  
Contact: 0.4mm thickness phosphor bronze alloy selective gold plating over nickel  
Plating: 7u" gold  
CAT 6 EIA/TIA 568B 2.1

Dimensions in mm



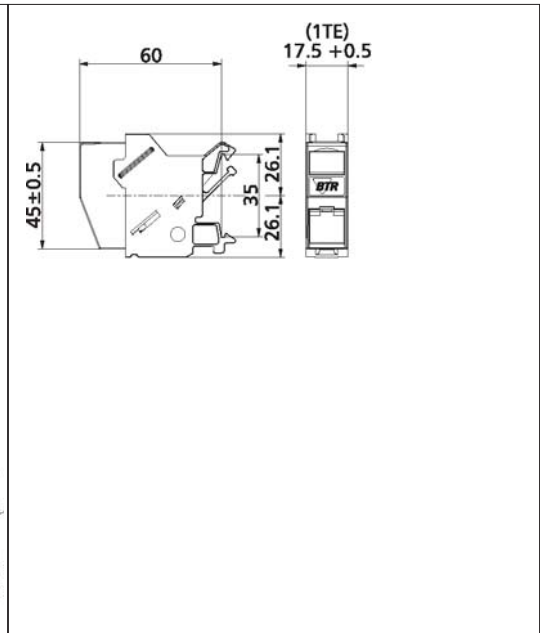
**Description AJT021**

Side entry  
CAT 6  
IP20  
IDC  
For DIN rail TH35

**Technical Data AJT021**

Housing: PA 66 UL94V-0  
Standard color light grey  
Contact: 0.4mm thickness phosphor bronze alloy selective gold plating over nickel  
Plating: 7u" gold  
CAT 6 EIA/TIA 568B 2.1

Dimensions in mm



**Ordering Information**

AJT011	8	8	1	7
Type	Positions	Contacts	Ports	Plating 7u"

**Ordering Information**

AJT021	8	8	1	7
Type	Positions	Contacts	Ports	Plating 7u"