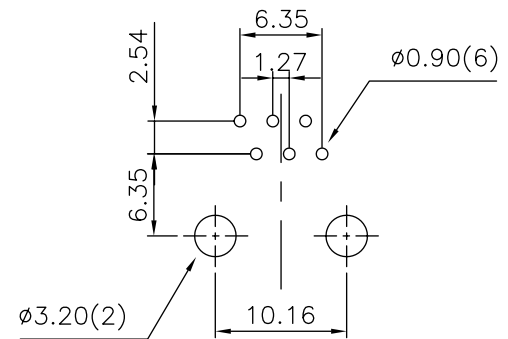


DETAIL X

MATERIAL:

- HOUSING—PBT POLYESTER UL94V-0 MIXED GLASS FIBER. STANDARD COLOR—BLACK
- CONTACTS—0.35mm THICK PHOS-BRONZE PLATED WITH HARD GOLD AND GOLD FLASH IN SOLDER AREA.

CAVITY CONFIRMS TO FCC RULES AND REGULATIONS PART 68,SUBPART F.



PCB LAYOUT

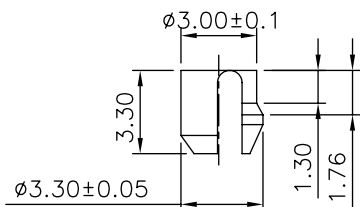
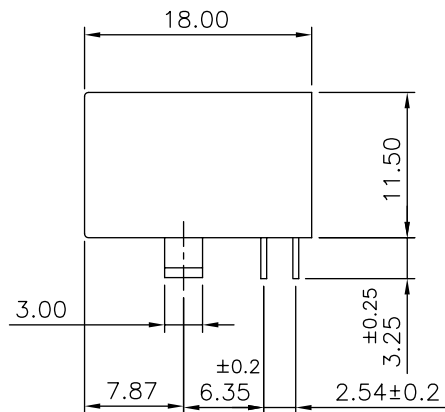
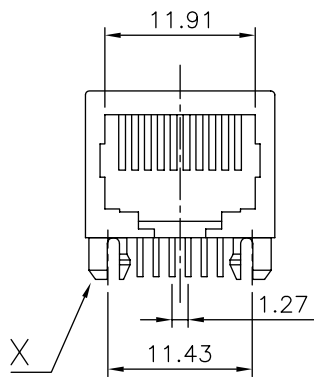
Ref.

Ordering Information

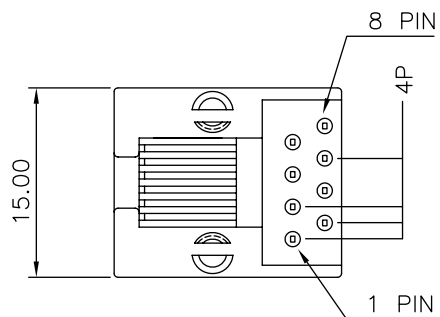
AJT85A	6	6	1	X
Type	Positions	Contacts	Ports	Plating 3 = 30u" 4 = 50u"

Tolerance unless otherwise specified mm .0 ± .25 .00 ± .13 .000 ± .05
--

RIA CONNECT	P/N: AJT85A661X
Desc.: 6P/6C, side entry, unshielded mod jack	
Date: 9-29-09	Drawn By: Donna Mears
Dimensions in mm	Verified By: Mike Balekdjian



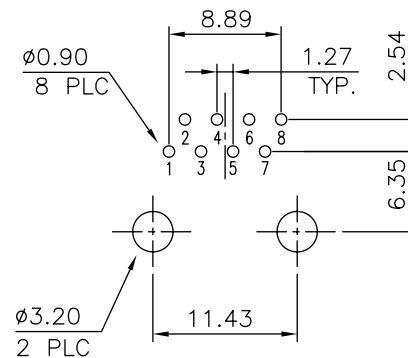
DETAIL X



MATERIALS:

- HOUSING—PBT POLYESTER UL94V-0 MIXED GLASS FIBER. STANDARD COLOR—BLACK
- CONTACTS—0.35mm THICK PHOS-BRONZE PLATED WITH HARD GOLD AND GOLD FLASH IN SOLDER AREA.

CAVITY CONFIRMS TO FCC RULES AND REGULATIONS PART 68,SUBPART F.



PCB Layout
Ref.

Ordering Information

AJT85A	8	8	1	X
Type	Positions	Contacts	Ports	Plating 3 = 30u" 4 = 50u"

<p>Tolerance unless otherwise specified mm</p> <p>.0 ± .25 .00 ± .13 .000 ± .05</p>

RIA CONNECT	P/N: AJT85A881X
Desc.: 8P/8C, side entry, unshielded mod jack	
Date: 9-29-09	Drawn By: Donna Mears
Dimensions in mm	Verified By: Mike Balekdjian