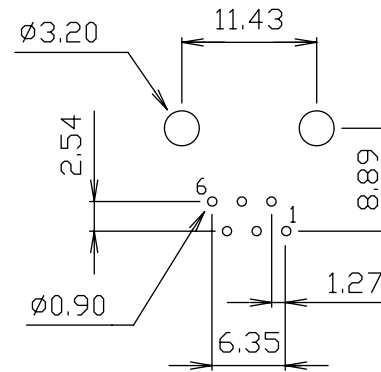


MATERIAL:

- HOUSING-PBT POLYESTER UL-94V-0
MIXED GLASS FIBER.
STANDARD COLOR-BLACK
 - CONTACTS-0.35mm THICK PHOS-BRONZE
PLATED WITH HARD GOLD AND
GOLD FLASH IN SOLDER AREA.
- CAVITY CONFIRMS TO FCC RULES AND REGULATIONS
PART 68,SUBPART F.



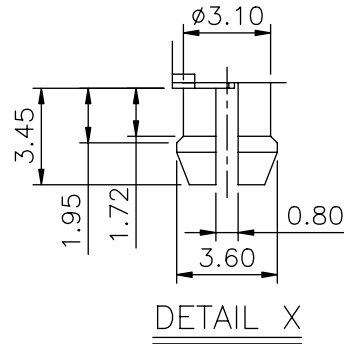
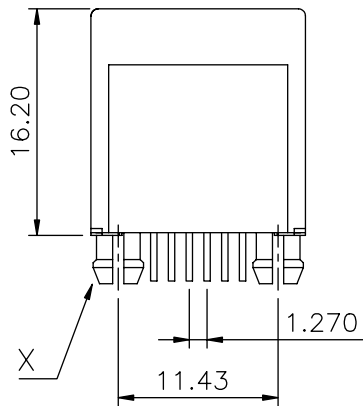
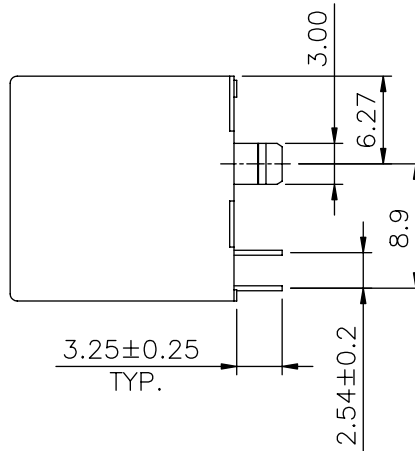
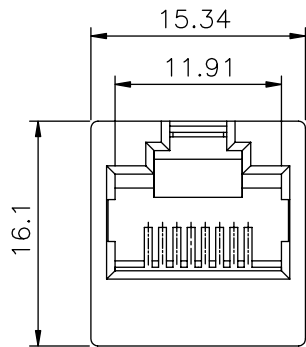
PCB LAYOUT
Ref.

Ordering Information

AJT84A	6	6	1	X
Type	Positions	Contacts	Ports	Plating
				3 = 30u"
				4 = 50u"

Tolerance unless otherwise specified
.0 ± .25
.00 ± .13
.000 ± .05

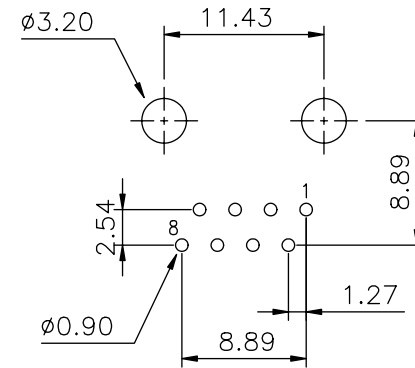
RIA CONNECT	P/N: AJT84A661X
Desc.: Top entry, thru hole modular jack	
Date: 8-31-09	Drawn By: Donna Mears
Dimensions in mm	Verified By: Mike Balekdjian



MATERIAL:

- HOUSING—PBT POLYESTER UL-94V-0 MIXED GLASS FIBER. STANDARD COLOR—BLACK
- CONTACTS—0.35mm THICK PHOS-BRONZE PLATED WITH HARD GOLD AND GOLD FLASH IN SOLDER AREA.

CAVITY CONFIRMS TO FCC RULES AND REGULATIONS PART 68,SUBPART F.



PCB LAYOUT Ref.

Ordering Information

AJT84A	8	8	1	X
Type	Positions	Contacts	Ports	Plating
				3 = 30u"
				4 = 50u"

Tolerance unless otherwise specified
.0 ± .25
.00 ± .13
.000 ± .05

RIA CONNECT	P/N: AJT84A881X
Desc.: Top entry, thru hole modular jack	
Date: 8-31-09	Drawn By: Donna Mears
Dimensions in mm	Verified By: Mike Balekdjian