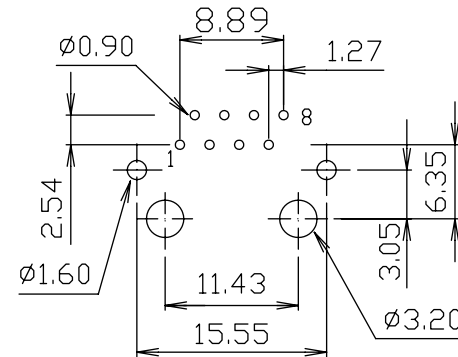


MATERIALS:

- HOUSING-PBT POLYESTER UL94V-0
MIXED GLASS FIBER.
STANDARD COLOR-BLACK
 - CONTACTS-0.35mm THICK PHOS-BRONZE
PLATED WITH HARD GOLD AND
GOLD FLASH IN SOLDER AREA.
 - SHIELD-0.20mm THICK COPPER ALLOY,
PLATED WITH NICKEL.
- CAVITY CONFIRMS TO FCC RULES AND REGULATIONS
PART 68,SUBPART F.



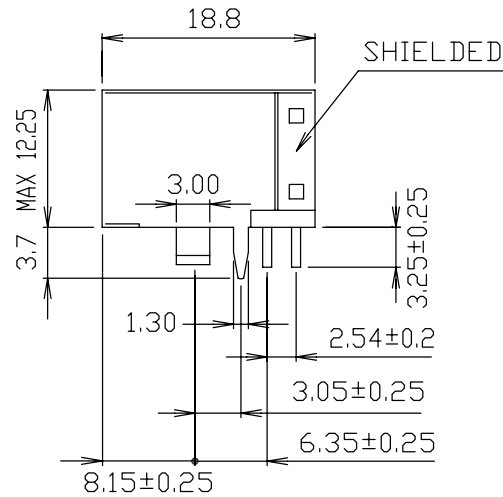
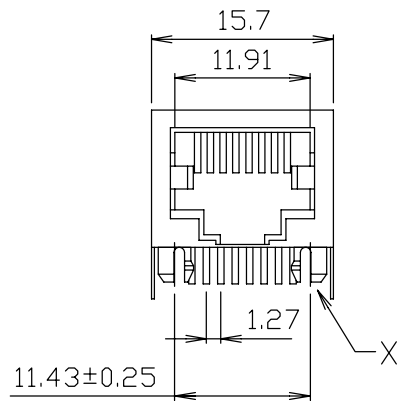
PC Board Layout

Ordering Information

AJT75B	A	8	1	X
Type	Positions (10)	Contacts	Ports	Plating 3 = 30u" 4 = 50u"

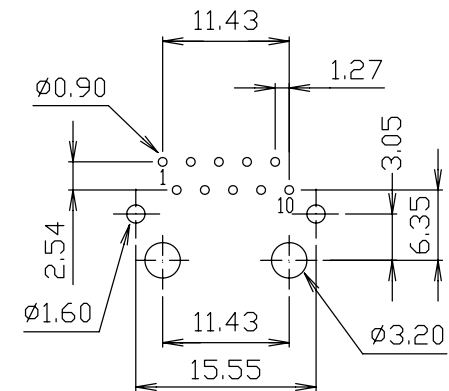
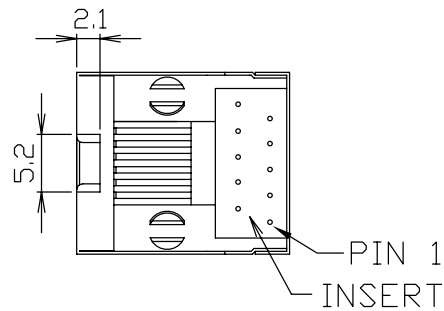
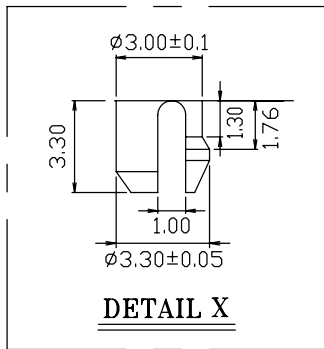
Tolerance unless otherwise specified mm .0 ± .25 .00 ± .13 .000 ± .05
--

RIA CONNECT	P/N: AJT75BA81X
Desc.: Side entry, thru hole, 10P/8C, shielded PCB jack	
Date: 9-22-09	Drawn By: Donna Mears
Dimensions in mm	Verified By: Mike Balekdjian



MATERIALS:

- HOUSING-PBT POLYESTER UL94V-0
MIXED GLASS FIBER,
STANDARD COLOR-BLACK
 - CONTACTS-0.35mm THICK PHOS-BRONZE
PLATED WITH HARD GOLD AND
GOLD FLASH IN SOLDER AREA.
 - SHIELD-0.20mm THICK COPPER ALLOY,
PLATED WITH NICKEL.
- CAVITY CONFIRMS TO FCC RULES AND REGULATIONS
PART 68,SUBPART F.



Ordering Information

AJT75B	A	A	1	X
Type	Positions (10)	Contacts (10)	Ports	Plating 3 = 30u" 4 = 50u"

Tolerance unless otherwise specified mm .0 ± .25 .00 ± .13 .000 ± .05
--

RIA CONNECT	P/N: AJT75BAA1X
Desc.: Side entry, thru hole, 10P/10C, shielded PCB jack	
Date: 9-22-09	Drawn By: Donna Mears
Dimensions in mm	Verified By: Mike Balekdjian