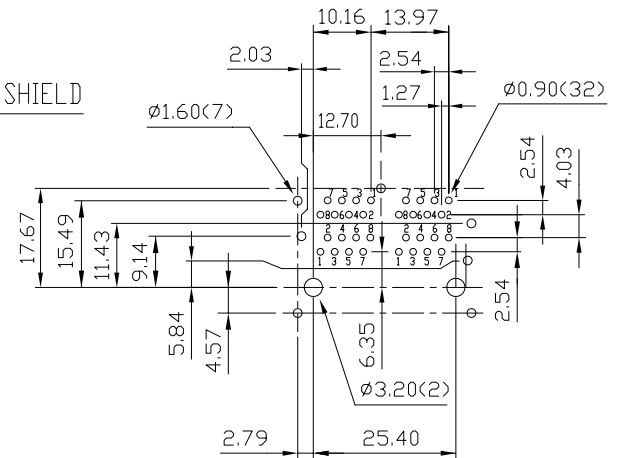
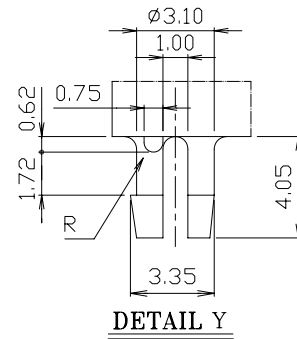
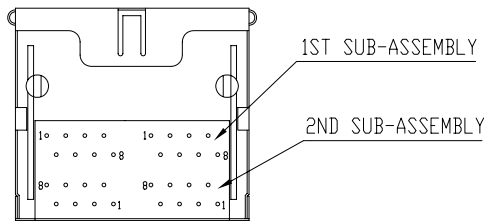
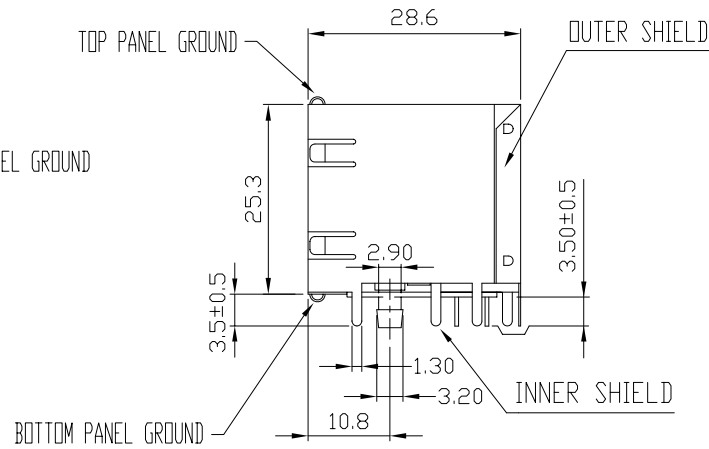
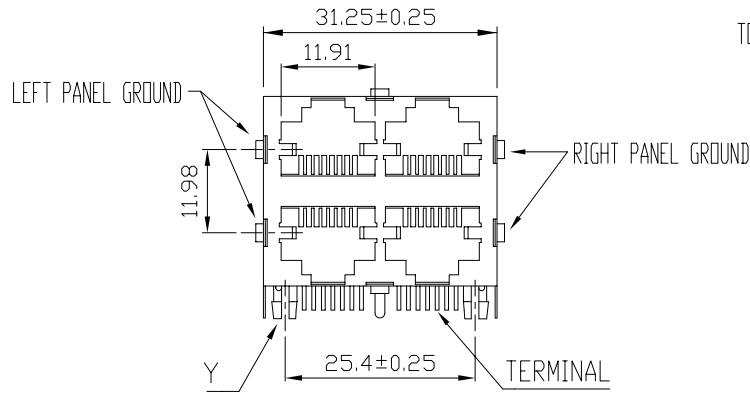


MATERIAL: HOUSING-PBT POLYESTER UL-94V-0
 MIXED GLASS FIBER.
 STANDARD COLOR-BLACK
 CONTACTS-0.35mm THICK PHOS-BRONZE
 PLATED WITH HARD GOLD AND
 TIN/LEAD IN SOLDER AREA.
 SHIELD-0.25mm THICK COPPER ALLOY,
 PLATED WITH NICKEL.

CAVITY CONFIRMS TO FCC RULES AND REGULATIONS
 PART 68,SUBPART F.

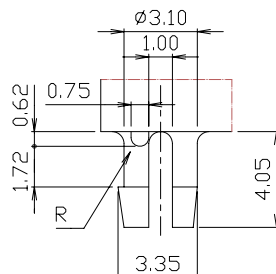
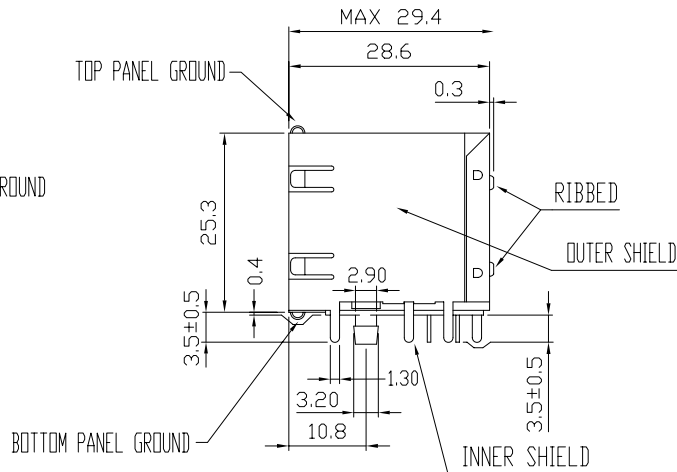
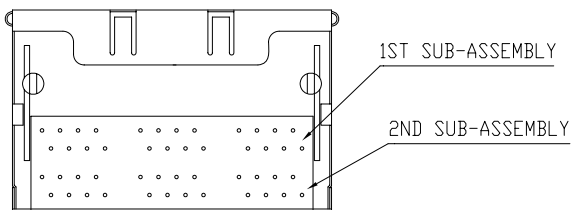
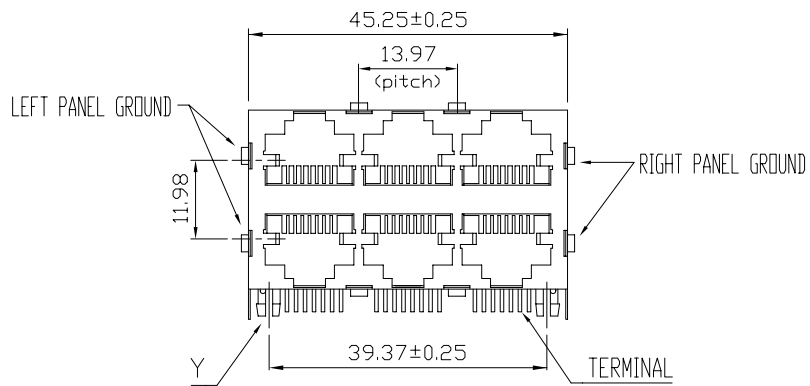


Ordering Information

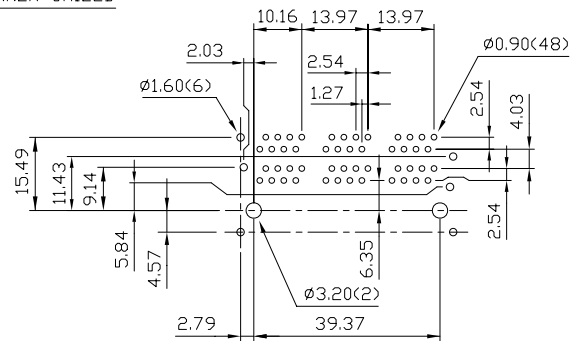
AJT49D	8	8	4	X
Type	Positions	Contacts	Ports	Plating 1 = 6u" 3 = 30u"

Tolerance unless otherwise specified mm .0 ± .25 .00 ± .13 .000 ± .05
--

RIA CONNECT	P/N: AJT49D884X
Desc.: Side entry, 2 X 2, shielded, thru hole modular jack	
Date: 2-2-10	Drawn By: Donna Mears
Dimensions in mm	Verified By: Mike Balekdjian



MATERIAL: HOUSING-PBT POLYESTER UL-94V-0
 MIXED GLASS FIBER.
 STANDARD COLOR-BLACK
 CONTACTS-0.35mm THICK PHOS-BRONZE
 PLATED WITH HARD GOLD AND
 GOLD FLASH IN SOLDER AREA.
 SHIELD-0.25mm THICK COPPER ALLOY,
 PLATED WITH NICKEL.
 CAVITY CONFIRMS TO FCC RULES AND REGULATIONS
 PART 68,SUBPART F.

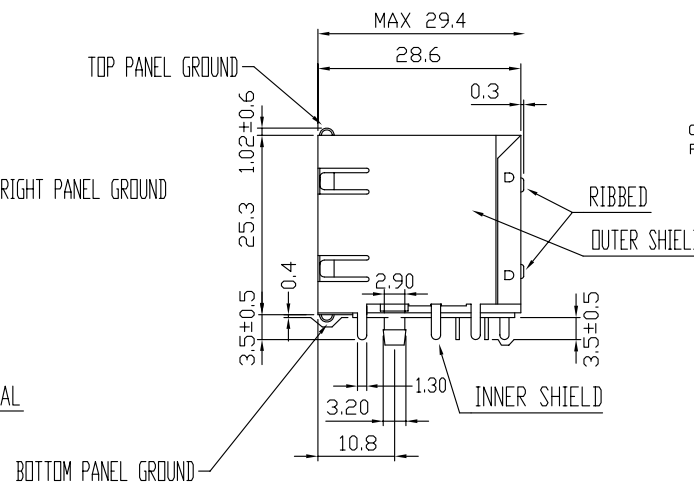
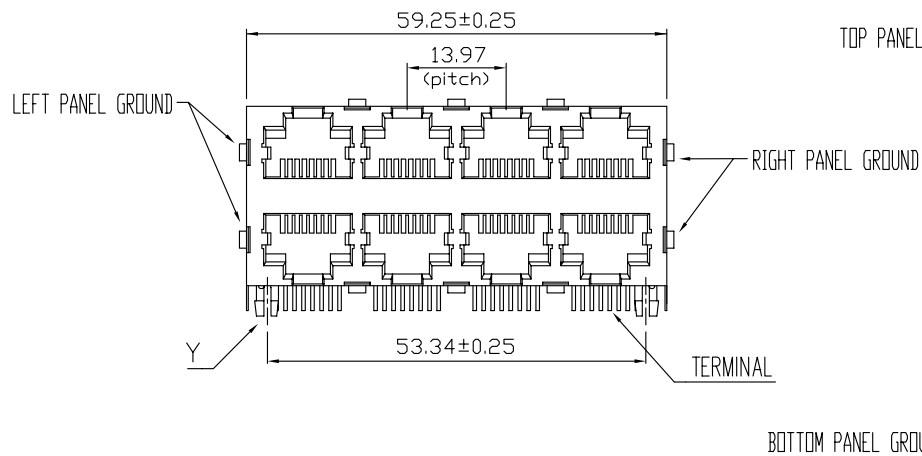


Ordering Information

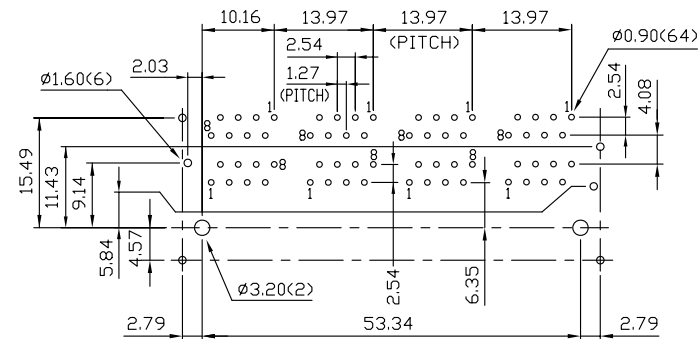
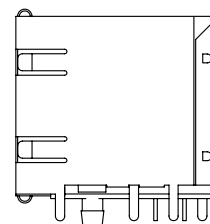
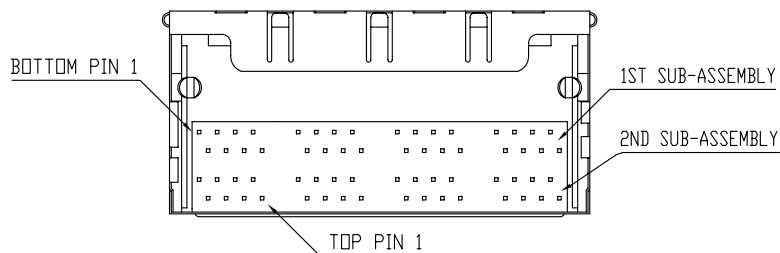
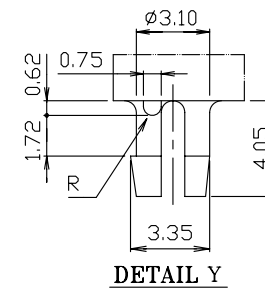
AJT49D	8	8	6	X
Type	Positions	Contacts	Ports	Plating
				1 = 6u"
				3 = 30u"

Tolerance unless otherwise specified mm
.0 ± .25
.00 ± .13
.000 ± .05

RIA CONNECT	P/N: AJT49D886X
Desc.: Side entry, 2 X 3, shielded, thru hole modular jack	
Date: 3-25-10	Drawn By: Donna Mears
Dimensions in mm	Verified By: Mike Balekdjian



MATERIAL:
 ◦ HOUSING-PBT POLYESTER UL-94V-0
 MIXED GLASS FIBER.
 STANDARD COLOR-BLACK
 ◦ CONTACTS-0.35mm THICK PHOS-BRONZE
 PLATED WITH HARD GOLD AND
 GOLD FLASH IN SOLDER AREA.
 ◦ SHIELD-0.25mm THICK COPPER ALLOY,
 PLATED WITH NICKEL.
 CAVITY CONFIRMS TO FCC RULES AND REGULATIONS
 PART 68,SUBPART F.



PCB LAYOUT
 Ref.

Ordering Information

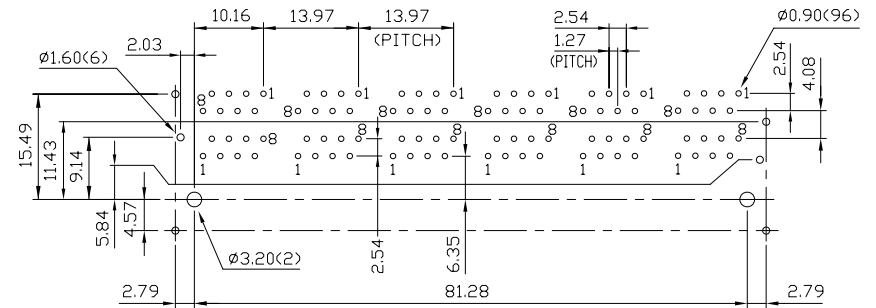
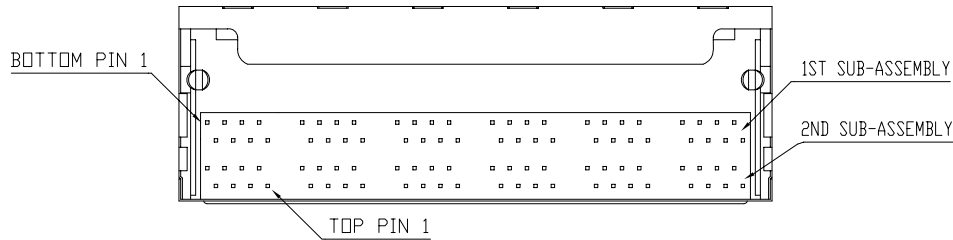
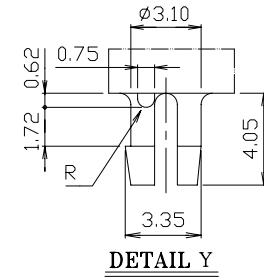
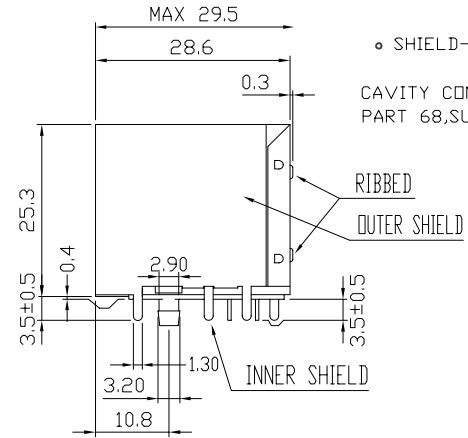
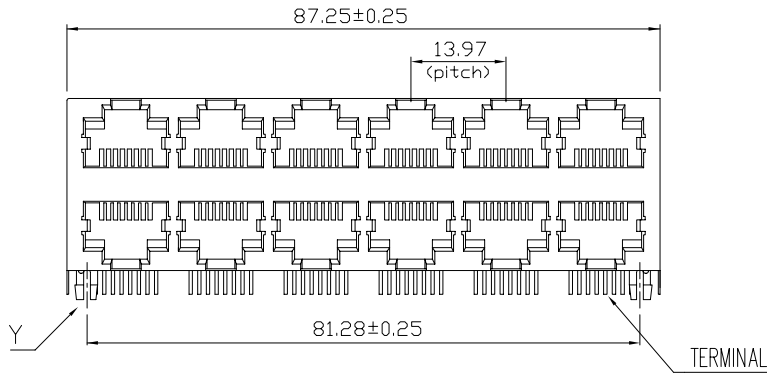
AJT49D	8	8	8	X
Type	Positions	Contacts	Ports	Plating 1 = 6u" 3 = 30u"

Tolerance unless otherwise specified mm .0 ± .25 .00 ± .13 .000 ± .05
--

RIA CONNECT	P/N: AJT49D888X
Desc.: Side entry, 2 X 4, shielded, thru hole modular jack	
Date: 9-22-09	Drawn By: Donna Mears
Dimensions in mm	Verified By: Mike Balekdjian

MATERIAL:

- HOUSING-PBT POLYESTER UL-94V-0 MIXED GLASS FIBER. STANDARD COLOR-BLACK
 - CONTACTS-0.35mm THICK PHOS-BRONZE PLATED WITH HARD GOLD AND GOLD FLASH IN SOLDER AREA.
 - SHIELD-0.25mm THICK COPPER ALLOY, PLATED WITH NICKEL.
- CAVITY CONFIRMS TO FCC RULES AND REGULATIONS PART 68,SUBPART F.



PCB LAYOUT
Ref.

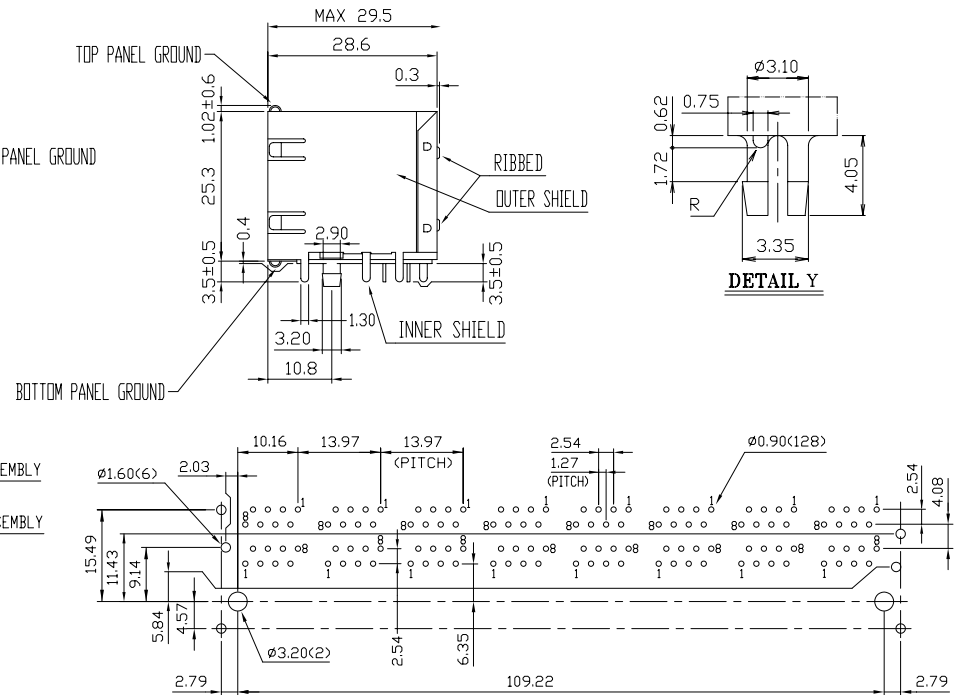
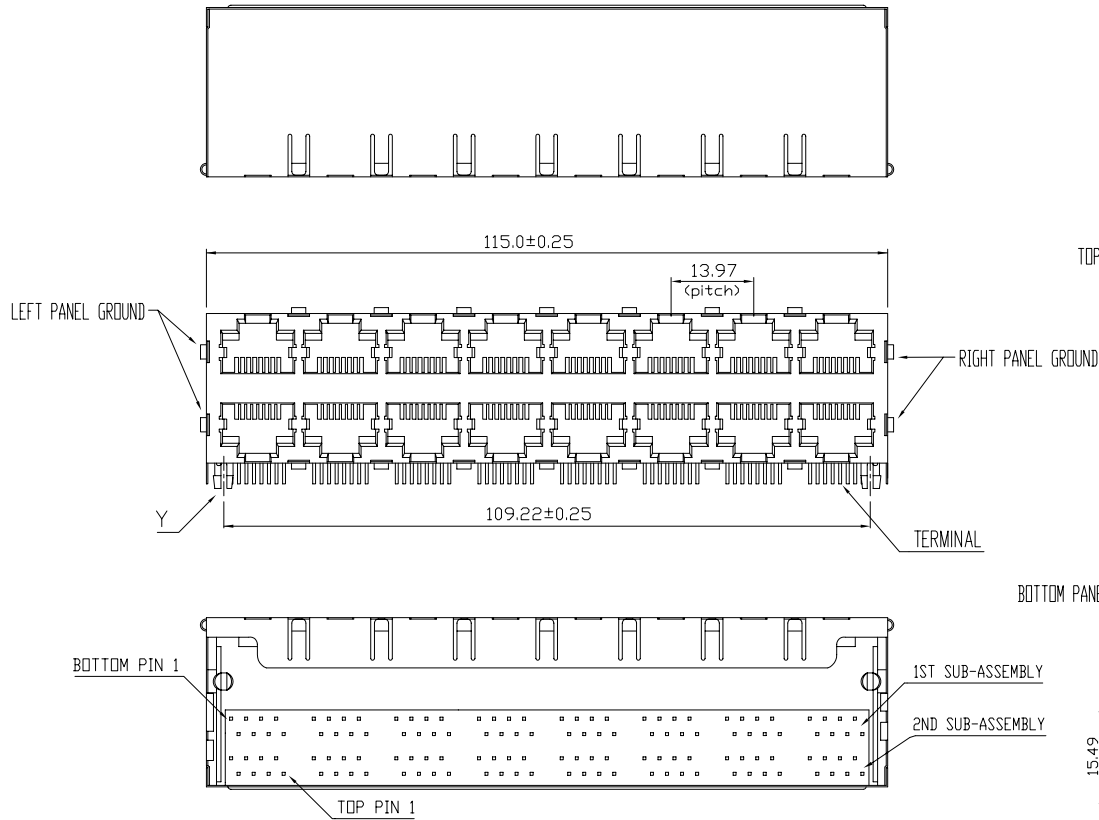
Ordering Information

AJT49D	8	8	C	X
Type	Positions	Contacts	Ports 12 (C)	Plating 1 = 6u" 3 = 30u"

Tolerance unless otherwise specified mm .0 ± .25 .00 ± .13 .000 ± .05
--

RIA CONNECT	P/N: AJT49D88CX
Desc.: Side entry, 2 X 6, shielded, thru hole modular jack	
Date: 10-20-05	Drawn By: Donna Mears
Dimensions in mm	Verified By: Mike Balekdjian

MATERIAL:
 • HOUSING-PBT POLYESTER UL-94V-0
 MIXED GLASS FIBER,
 STANDARD COLOR-BLACK
 • CONTACTS-0.35mm THICK PHOS-BRONZE
 PLATED WITH HARD GOLD AND
 GOLD FLASH IN SOLDER AREA.
 • SHIELD-0.25mm THICK COPPER ALLOY,
 PLATED WITH NICKEL.
 CAVITY CONFIRMS TO FCC RULES AND REGULATIONS
 PART 68,SUBPART F.



PCB LAYOUT
Ref.

Ordering Information

AJT49D	8	8	G	X
Type	Positions	Contacts	Ports 16 (G)	Plating 1 = 6u" 3 = 30u"

Tolerance unless otherwise specified mm .0 ± .25 .00 ± .13 .000 ± .05
--

RIA CONNECT	P/N: AJT49D88GX
Desc.: Side entry, 2 X 8, shielded, thru hole modular jack	
Date: 2-8-10	Drawn By: Donna Mears
Dimensions in mm	Verified By: Mike Balekdjian