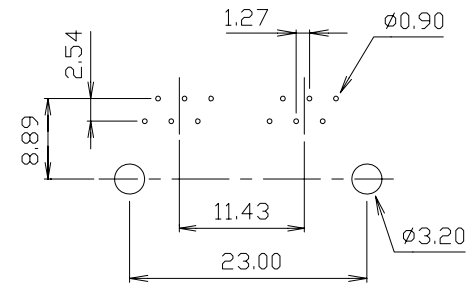
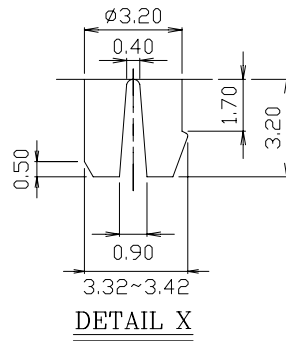
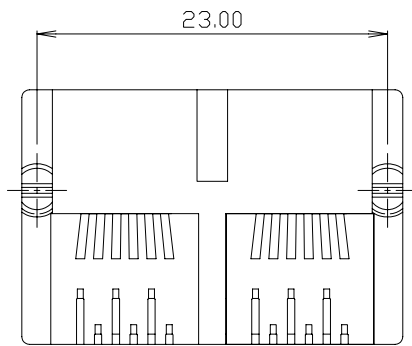


MATERIALS:

- HOUSING-NYLON FR-50 UL94V-0 MIXED GLASS FIBER. STANDARD COLOR-BLACK
- CONTACTS -0.45mm DIM. PHOS-BRONZE PLATED WITH HARD GOLD.

CAVITY CONFIRMS TO FCC RULES AND REGULATIONS PART 68,SUBPART F.



PC Board Layout Ref.

Ordering Information

AJT46C	6	X	1	X
Type	Positions	Contacts 2, 4, 6	Ports	Plating 1 = 6u" 3 = 30u"

Tolerance unless otherwise specified mm .0 ± .25 .00 ± .13 .000 ± .05
--

RIA CONNECT	P/N: AJT46C6X1X
Desc.: Side entry, unshielded, thru hole modular jack	
Date: 2-16-10	Drawn By: Donna Mears
Dimensions in mm	Verified By: Mike Balekdjian