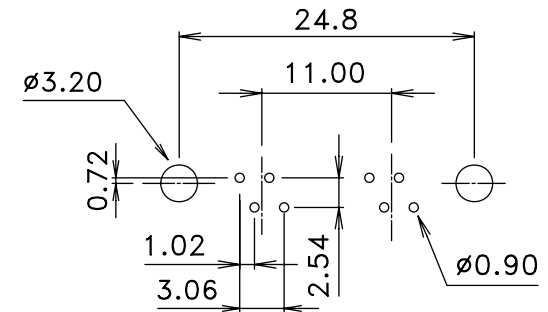


MATERIAL: HOUSING-PBT POLYESTER UL94V-0
 MIXED GLASS FIBER.
 STANDARD COLOR-GARY.
 CONTACTS-0.45mm DIAMETER PHOS-BRONZE
 PLATED WITH HARD GOLD.
 MTEAL PEG-0.50mm THICK PHOS-BRONZE
 PLATED WITH TIN/LEAD.
 CAVITY CONFIRMS TO FCC RULES AND REGULATIONS
 PART 68,SUBPART F.



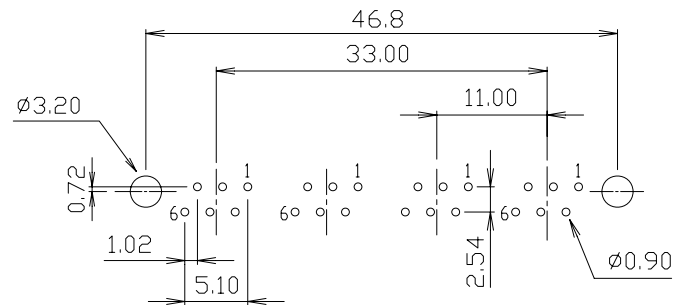
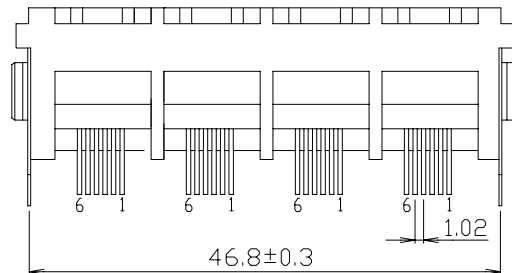
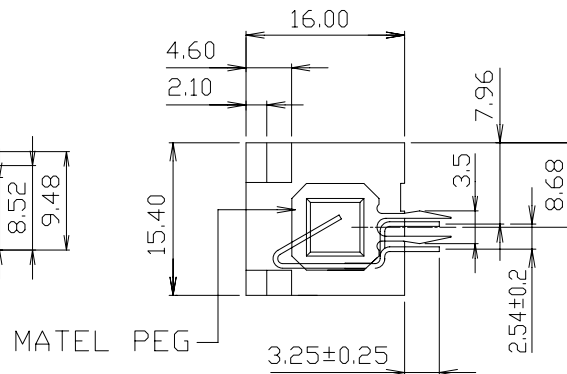
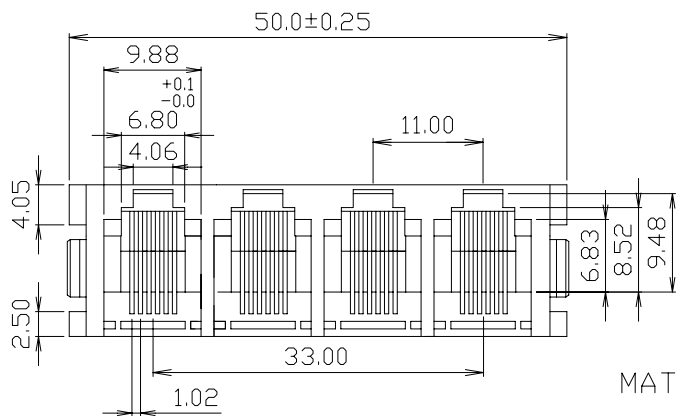
PC Board Layout

Ordering Information

AJT43C	6	4	2	X
Type	Positions	Contacts	Ports	Plating
				3 = 30u"
				4 = 50u"

Tolerance unless otherwise specified mm .0 ± .25 .00 ± .13 .000 ± .05
--

RIA CONNECT	P/N: AJT43C642X
Desc.: Top entry, unshielded, thru hole modular jack	
Date: 12-07-09	Drawn By: Donna Mears
Dimensions in mm	Verified By: Mike Balekdjian



MATERIAL:

- HOUSING-PBT POLYESTER UL94V-0 MIXED GLASS FIBER, STANDARD COLOR-GARY.
- CONTACTS-0.45mm DIAMETER PHOS-BRONZE PLATED WITH HARD GOLD.
- METAL PEG-0.50mm THICK PHOS-BRONZE PLATED WITH TIN.

CAVITY CONFIRMS TO FCC RULES AND REGULATIONS PART 68,SUBPART F.

PCB LAYOUT
Ref.

Ordering Information

AJT43C	6	6	4	X
Type	Positions	Contacts	Ports	Plating 1 = 6u" 3 = 30u"

Tolerance unless otherwise specified mm .0 ± .25 .00 ± .13 .000 ± .05
--

RIA CONNECT	P/N: AJT43C664X
Desc.: Top entry, unshielded, thru hole modular jack	
Date: 8-26-10	
Dimensions in mm	