

**MATERIALS:**

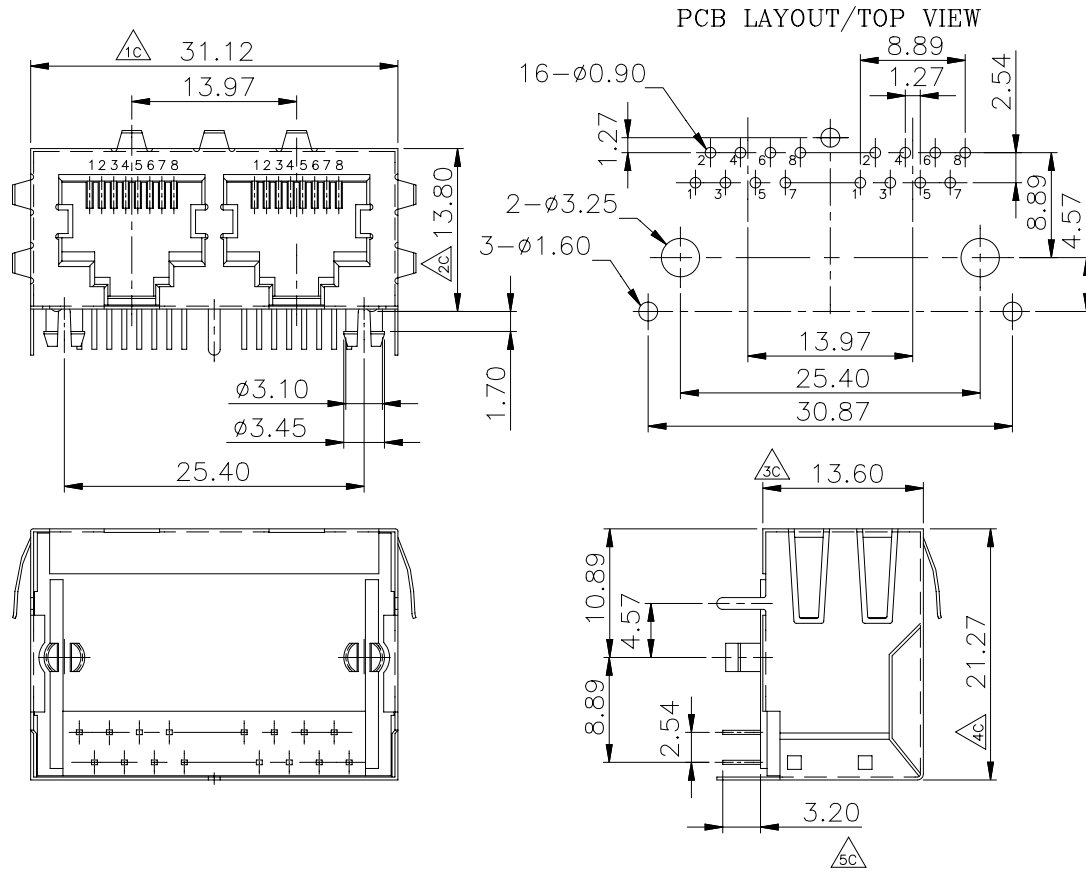
PLASTIC HOUSING: HIGH TEMP. THERMOPLASTIC  
 FLAMMABILITY RATING UL 94V-0.

INSERT: HIGH TEMP. THERMOPLASTIC  
 FLAMMABILITY RATING UL 94V-0.(COLOR GRAY)

CONTACTS: 0.35mm THICKNESS PHOSPHOR BRONZE  
 PLATING: GOLD PLATING OVER NICKEL IN CONTACT.

TIN PLATING OVER NICKEL IN SOLDER AREA.

SHIELDED: BRASS WITH NICKEL PLATED

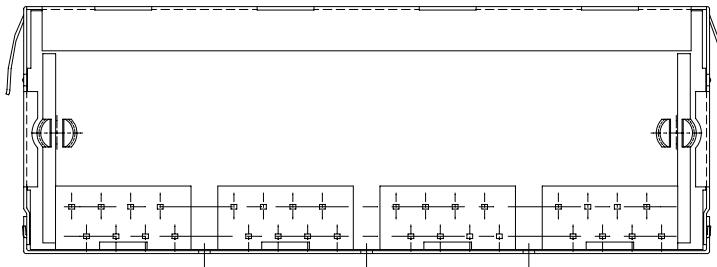
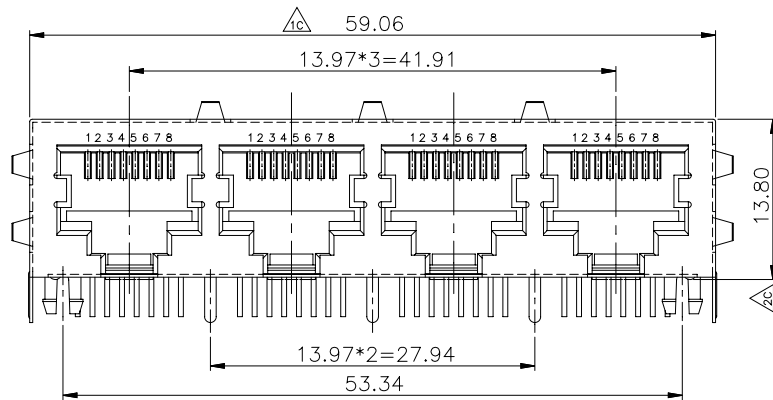


**Ordering Information**

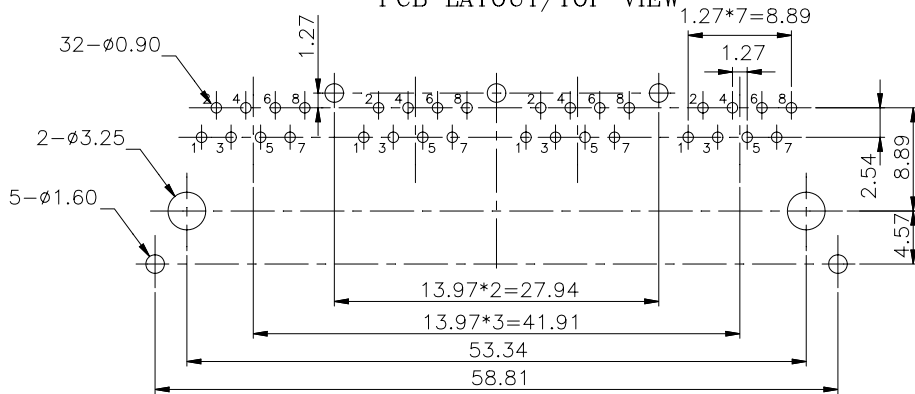
AJT42D	8	8	2	X
Type	Positions	Contacts	Ports	Plating 1 = 6u" 3 = 30u"

<p><b>Tolerance</b>                  unless otherwise specified</p> <p>mm</p> <p>X ± .50</p> <p>.X ± .38</p> <p>.XX ± .25</p> <p>.XXX ± .10</p> <p>angles ± 3°</p>
--

	P/N: AJT42D882X
Desc.: Side entry, CAT 5, shielded, thru hole modular jack	
Date: 7-8-10 Dimensions in mm	Drawn By: Donna Mears Verified By: Mike Balekdjian

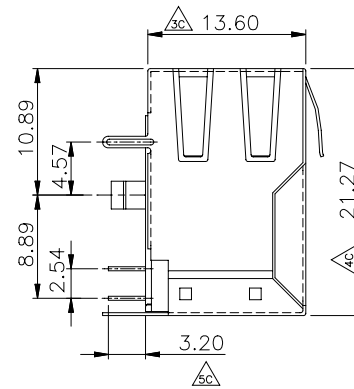


PCB LAYOUT/TOP VIEW



**MATERIALS:**

PLASTIC HOUSING: HIGH TEMP. THERMOPLASTIC  
 FLAMMABILITY RATING UL 94V-0.  
 CONTACTS: 0.35mm THICKNESS PHOSPHOR BRONZE  
 PLATING: GOLD PLATING OVER NICKEL IN CONTACT.  
 TIN PLATING OVER NICKEL IN SOLDER AREA.  
 SHIELDED: BRASS WITH NICKEL PLATED

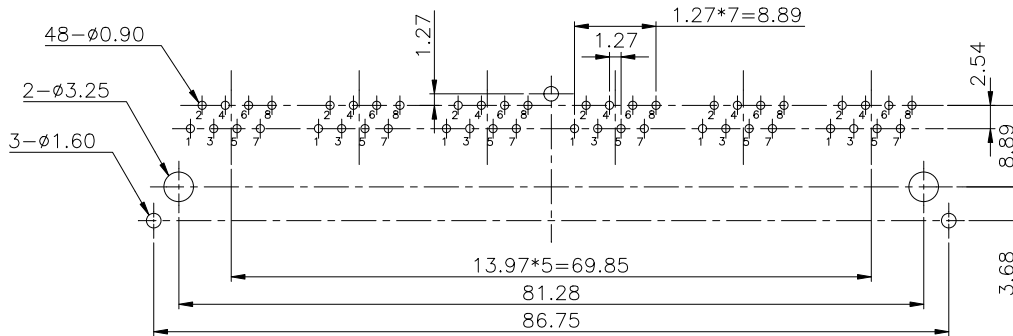
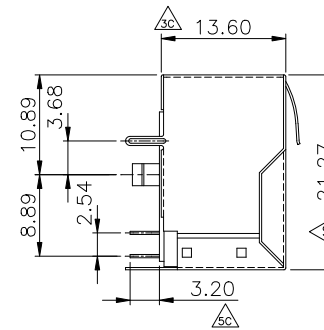
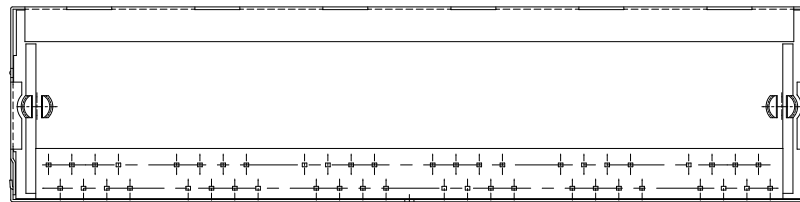
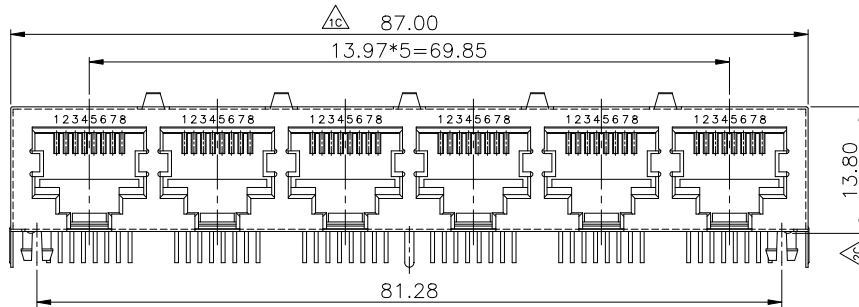


**Ordering Information**

AJT42D	8	8	4	X
Type	Positions	Contacts	Ports	Plating
				1 = 6u"
				3 = 30u"

<b>Tolerance</b> unless otherwise specified
mm
X $\pm$ .50
.X $\pm$ .38
.XX $\pm$ .25
.XXX $\pm$ .10
angles $\pm$ 3°

<b>RIA</b> CONNECT	P/N: AJT42D884X
Desc.: Side entry, CAT 5, shielded, thru hole modular jack	
Date: 5-10-10	Drawn By: Donna Mears
Dimensions in mm	Verified By: Mike Balekdjian



PCB LAYOUT/TOP VIEW

**MATERIALS:**

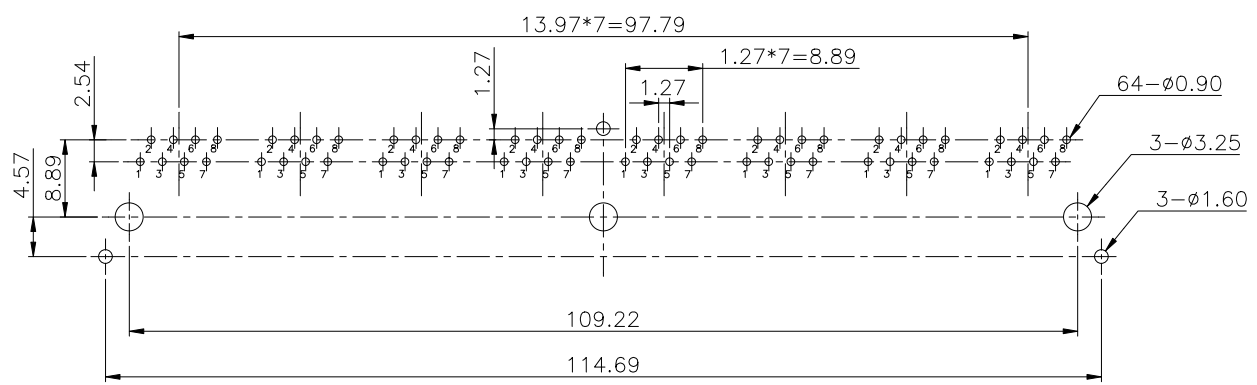
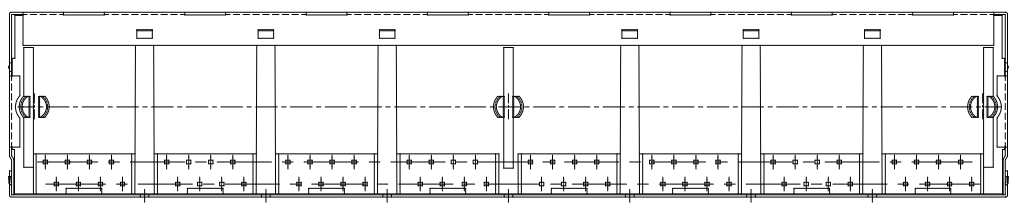
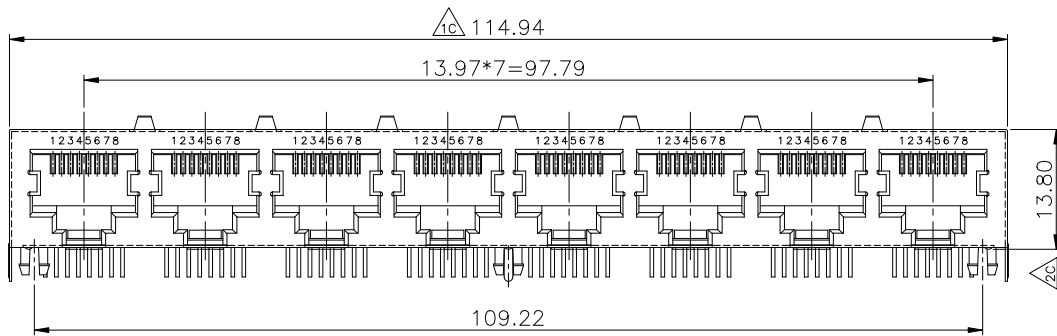
PLASTIC HOUSING: ENGINEERING THERMOPLASTIC  
 FLAMMABILITY RATING UL 94V-0.  
 INSERT: ENGINEERING THERMOPLASTIC  
 FLAMMABILITY RATING UL 94V-0.(COLOR GRAY)  
 CONTACTS: 0.35mm THICKNESS PHOSPHOR BRONZE  
 PLATING: GOLD PLATING OVER NICKEL IN CONTACT.  
 TIN PLATING OVER NICKEL IN SOLDER AREA.  
 SHIELDED: BRASS WITH NICKEL PLATED

**Ordering Information**

AJT42D	8	8	6	X
Type	Positions	Contacts	Ports	Plating 1 = 6u" 3 = 30u"

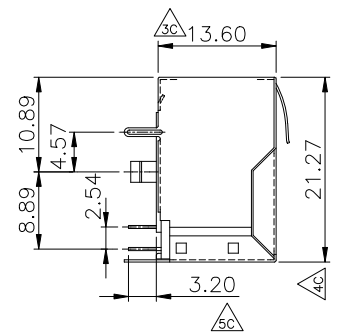
<b>Tolerance</b> unless otherwise specified
mm
X ± .50
.X ± .38
.XX ± .25
.XXX ± .10
angles ± 3°

<b>RIA</b> CONNECT	P/N: AJT42D886X
Desc.: Side entry, CAT 5, shielded, thru hole modular jack	
Date: 7-8-10	Drawn By: Donna Mears
Dimensions in mm	Verified By: Mike Balekdjian



PCB LAYOUT/TOP VIEW

MATERIALS:  
 PLASTIC HOUSING: ENGINEERING THERMOPLASTIC  
 FLAMMABILITY RATING UL 94V-0.  
 INSERT: ENGINEERING THERMOPLASTIC  
 FLAMMABILITY RATING UL 94V-0.(COLOR GRAY)  
 CONTACTS: 0.35mm THICKNESS PHOSPHOR BRONZE  
 PLATING: GOLD PLATING OVER NICKEL IN CONTACT.  
 TIN PLATING OVER NICKEL IN SOLDER AREA.  
 SHIELDED: BRASS WITH NICKEL PLATED



Ordering Information

AJT42D	8	8	8	X
Type	Positions	Contacts	Ports	Plating 1 = 6u" 3 = 30u"

Tolerance unless otherwise specified mm X ± .50 .X ± .38 .XX ± .25 .XXX ± .10 angles ± 3°
--

<b>RIA</b> CONNECT	P/N: AJT42D888X
Desc.: Side entry, CAT 5, shielded, thru hole modular jack	
Date: 7-8-10	Drawn By: Donna Mears
Dimensions in mm	Verified By: Mike Balekdjian