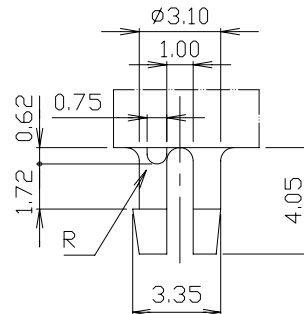
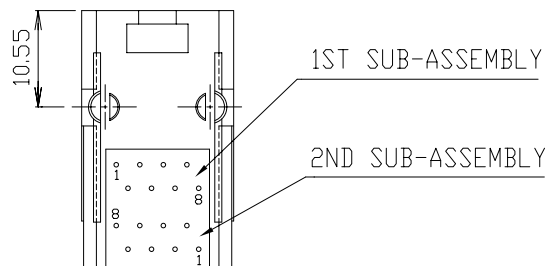


**MATERIAL:**

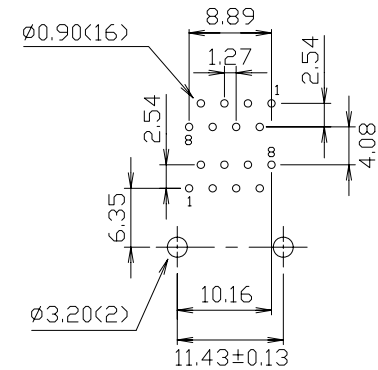
- HOUSING-PBT POLYESTER UL-94V-0  
MIXED GLASS FIBER.  
STANDARD COLOR-BLACK

- CONTACTS-0.35mm THICK PHOS-BRONZE  
PLATED WITH HARD GOLD AND  
GOLD FLASH IN SOLDER AREA.

CAVITY CONFIRMS TO FCC RULES AND REGULATIONS  
PART 68,SUBPART F.



**DETAIL Y**



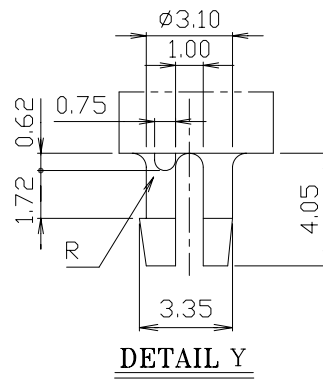
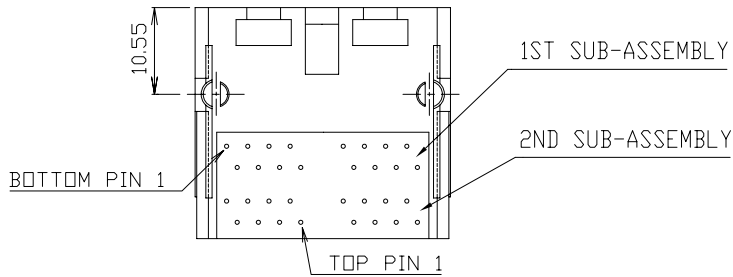
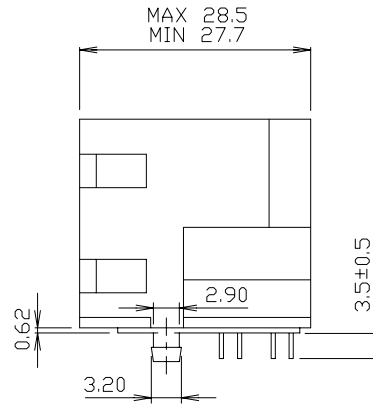
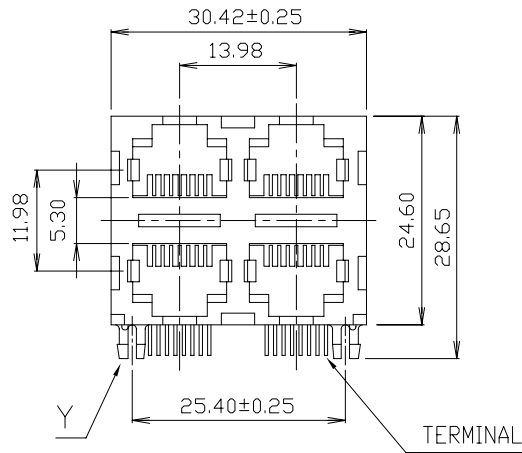
PCB LAYOUT  
Ref.

**Ordering Information**

AJT42C	8	8	2	X
Type	Positions	Contacts	Ports	Plating 1 = 6u" 3 = 30u"

<b>Tolerance</b> unless otherwise specified
.0 ± .25
.00 ± .13
.000 ± .05

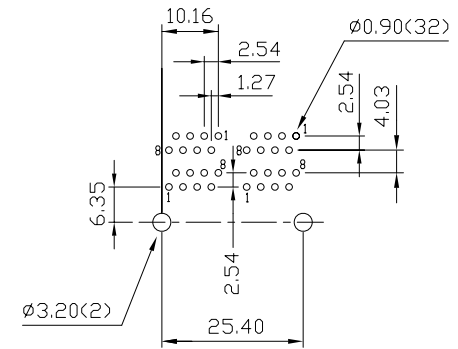
<b>RIA</b> CONNECT	P/N: AJT42C882X
Desc.: Side entry, unshielded, 2 X 1, right angle, thru hole modular jack	
Date: 11-23-10	Drawn By: Donna Mears
Dimensions in mm	Verified By: Mike Balekdjian



MATERIAL:

- HOUSING-PBT POLYESTER UL-94V-0  
MIXED GLASS FIBER.  
STANDARD COLOR-BLACK
- CONTACTS-0.35mm THICK PHOS-BRONZE  
PLATED WITH HARD GOLD AND  
GOLD FLASH IN SOLDER AREA.

CAVITY CONFIRMS TO FCC RULES AND REGULATIONS  
PART 68,SUBPART F.



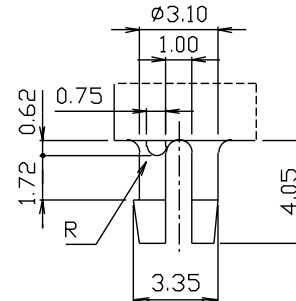
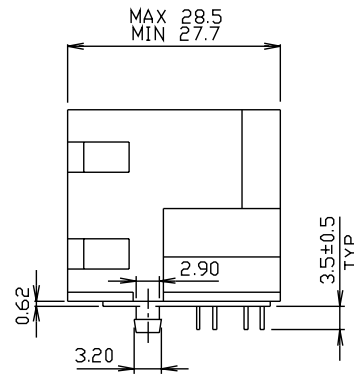
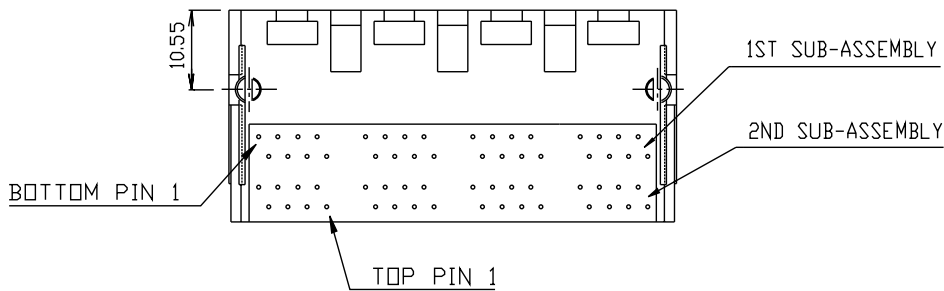
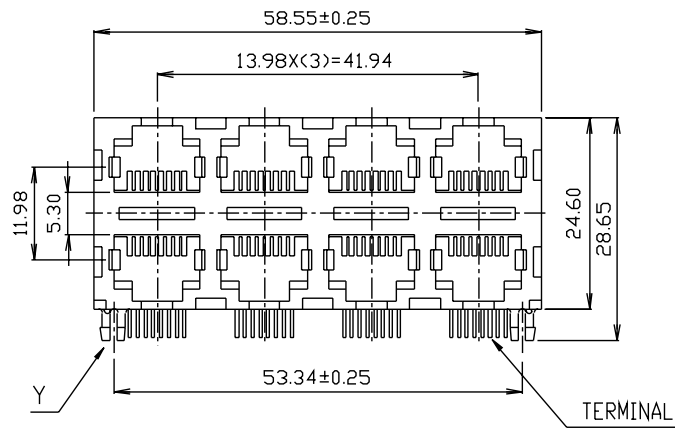
PCB LAYOUT  
Ref.

Ordering Information

AJT42C	8	8	4	X
Type	Positions	Contacts	Ports	Plating 1 = 6u" 3 = 30u"

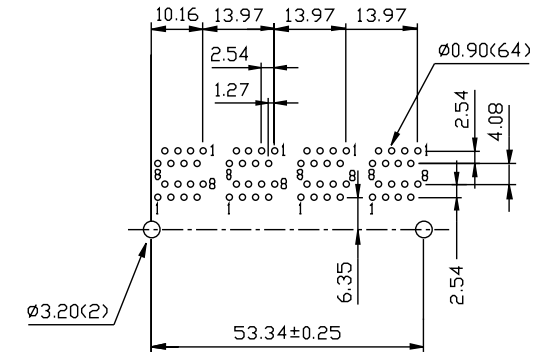
Tolerance unless otherwise specified
.0 ± .25
.00 ± .13
.000 ± .05

<b>RIA</b> CONNECT	P/N: AJT42C884X
Desc.: Side entry, unshielded, 2 X 2, right angle, thru hole modular jack	
Date: 11-16-10	Drawn By: Donna Mears
Dimensions in mm	Verified By: Mike Balekdjian



**DETAIL Y**

MATERIAL:  
 • HOUSING-PBT POLYESTER UL-94V-0  
 MIXED GLASS FIBER.  
 STANDARD COLOR-BLACK  
 • CONTACTS-0.35mm THICK PHOS-BRONZE  
 PLATED WITH HARD GOLD AND  
 GOLD FLASH IN SOLDER AREA.  
 CAVITY CONFIRMS TO FCC RULES AND REGULATIONS  
 PART 68,SUBPART F.



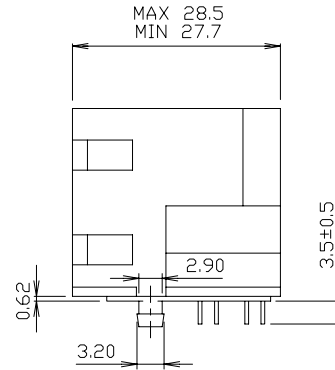
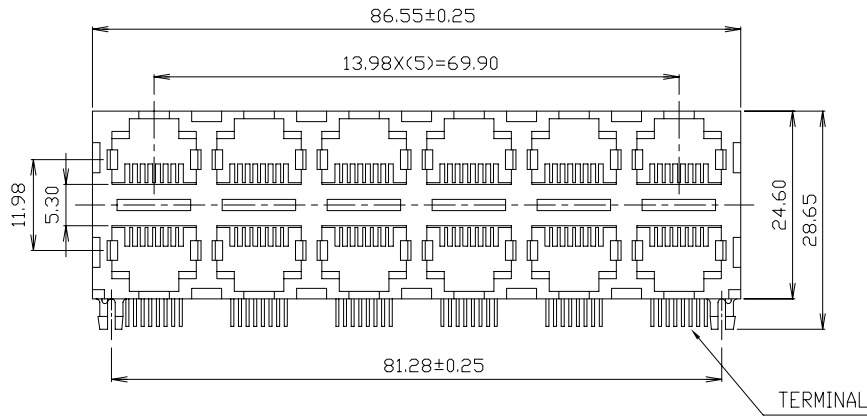
PCB LAYOUT  
 Ref.

**Ordering Information**

AJT42C	8	8	8	X
Type	Positions	Contacts	Ports	Plating 1=6u" 3=30u"

<b>Tolerance</b> unless otherwise specified
.0 ± .25
.00 ± .13
.000 ± .05

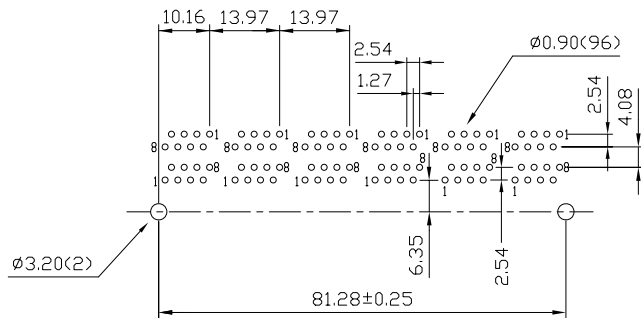
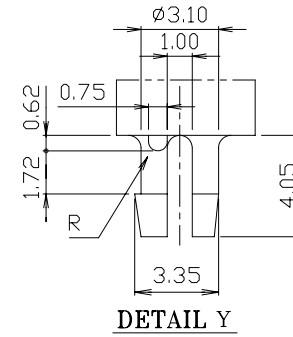
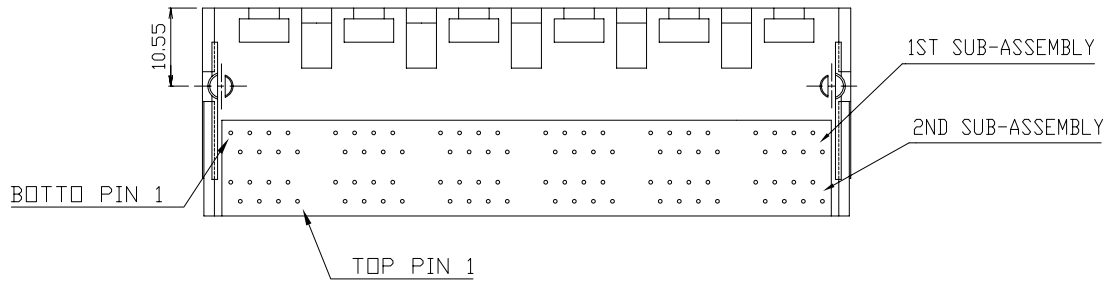
<b>RIA</b> CONNECT	P/N: AJT42C888X
Desc.: Side entry, unshielded, 2 X 4, right angle, thru hole modular jack	
Date: 9-09-09	Drawn By: Donna Mears
Dimensions in mm	Verified By: Mike Balekdjian



**MATERIAL:**

- HOUSING-PBT POLYESTER UL-94V-0 MIXED GLASS FIBER. STANDARD COLOR-BLACK
- CONTACTS-0.35mm THICK PHOS-BRONZE PLATED WITH HARD GOLD AND GOLD FLASH IN SOLDER AREA.

CAVITY CONFIRMS TO FCC RULES AND REGULATIONS PART 68,SUBPART F.



PCB LAYOUT  
Ref.

**Ordering Information**

AJT42C	8	8	C	X
Type	Positions	Contacts	Ports C (12)	Plating 1 = 6u" 3 = 30u"

<p><b>Tolerance</b> unless otherwise specified</p> <p>mm</p> <p>.0 ± .25</p> <p>.00 ± .13</p> <p>.000 ± .05</p>
---

<b>RIA</b> CONNECT	P/N: AJT42C88CX
Desc.: Side entry, unshielded, 2 X 6, right angle, thru hole modular jack	
Date: 4-22-10	
Dimensions in mm Drawn By: Donna Mears	