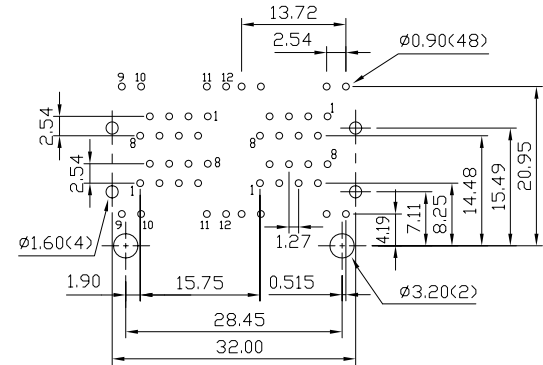


- MATERIALS:
- BOTTOM HOUSING-DSM STANYL TE250F6 (NYLON-46)
HEAT DEFLECTION TEMP.290°
BLACK COLOR, UL94V-0
 - TOP HOUSING-PBT POLYESTER UL94V-0
MIXED GLASS FIBER, BLACK COLOR.
 - CONTACTS-0.35mm THICK PHOS-BRONZE PLATED
WITH HARD GOLD AND GOLD FLASH IN SOLDER AREA.
 - SHIELD-0.25mm THICK COPPER ALLOY,
PLATED WITH NICKEL.
- CAVITY CONFIRMS TO FCC RULES AND REGULATIONS PART 68,SUBPART F.



PCB LAYOUT
Ref.

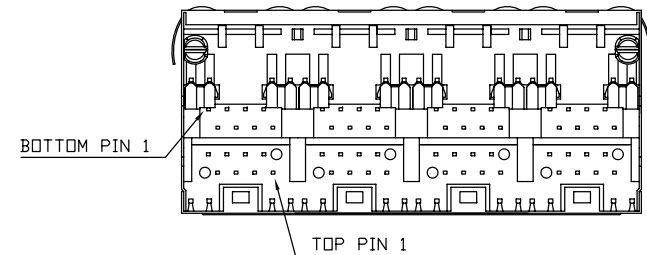
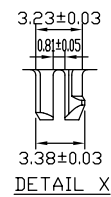
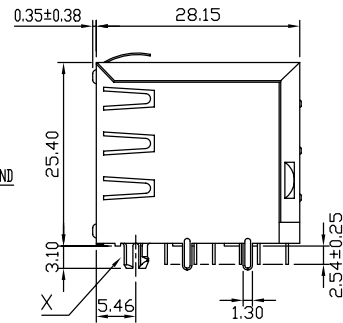
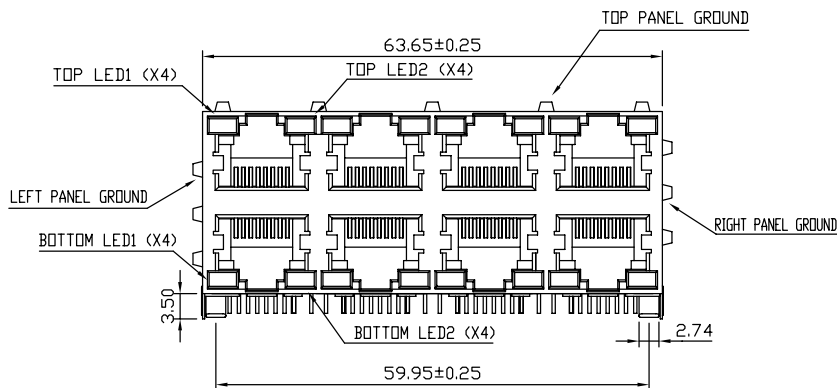
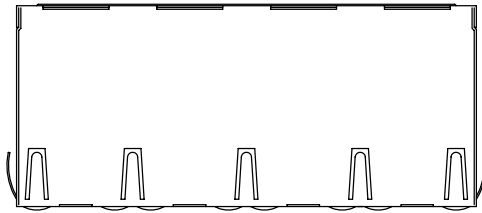
Ordering Information

AJT37L	8	8	4	X-0	X	4
Type	Positions	Contacts	Ports	Plating 3=30u" 4=50u"	Shield	Tabs 4=Top & Side Tabs

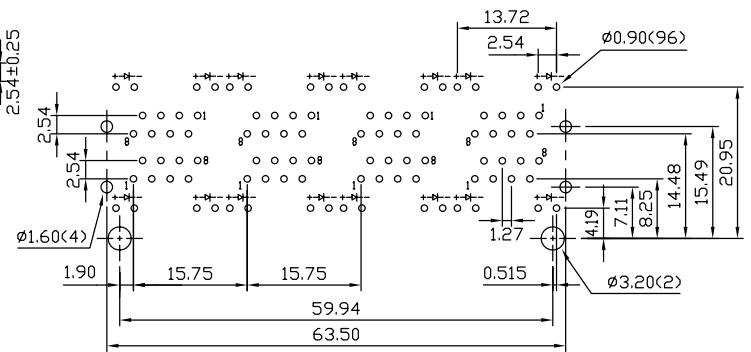
LED1	LED2	LED1	LED2
1= Yellow	Green	5= Green	Red
2= Green	Green	6= Red	Green
3= Green	Yellow	7= Yellow	Yellow
4= Green	Orange	8= Grn/Ylw	Grn/Ylw
		9= Red/Grn	Red/Grn

Tolerance
unless otherwise specified
mm
.0 ± .25
.00 ± .13
.000 ± .05

RIA CONNECT	P/N: AJT37L884X-0X4
Desc.: Side entry, shielded, 2 X 2, LED, thru hole modular jack	
Date: 2-4-10	Drawn By: Donna Mears
Dimensions in mm	Verified By: Mike Balekdjian



- MATERIALS:
- BOTTOM HOUSING-DSM STANYL TE250F6 (NYLON-46)
HEAT DEFLECTION TEMP.290°
BLACK COLOR, UL94V-0
 - TOP HOUSING-PBT POLYESTER UL94V-0
MIXED GLASS FIBER, BLACK COLOR.
 - CONTACTS-0.35mm THICK PHOS-BRONZE PLATED
WITH HARD GOLD AND GOLD FLASH IN
SOLDER AREA.
 - SHIELD-0.25mm THICK COPPER ALLOY,
PLATED WITH NICKEL.
- CAVITY CONFIRMS TO FCC RULES AND REGULATIONS



PCB LAYOUT
Ref.

Ordering Information

AJT37L	8	8	8	X-0	X	4
Type	Positions	Contacts	Ports	Plating 3 = 30u" 4 = 50u"	Plating	Tabs 4=Top & Side Tabs

LED1	LED2	LED1	LED2
1 = Yellow	Green	5 = Green	Red
2 = Green	Green	6 = Red	Green
3 = Green	Yellow	7 = Yellow	Yellow
4 = Green	Orange	8 = Grn/Ylw	Grn/Ylw
		9 = Red/Grn	Red/Grn

Tolerance unless otherwise specified
.0 ± .25
.00 ± .13
.000 ± .05

RIA CONNECT	P/N: AJT37L888X-0X4
Desc.: Side entry, CAT 5, shielded, LED, 2X4, thru hole modular jack	
Date: 9-03-09	Drawn By: Donna Mears
Dimensions in mm	Verified By: Mike Balekdjian