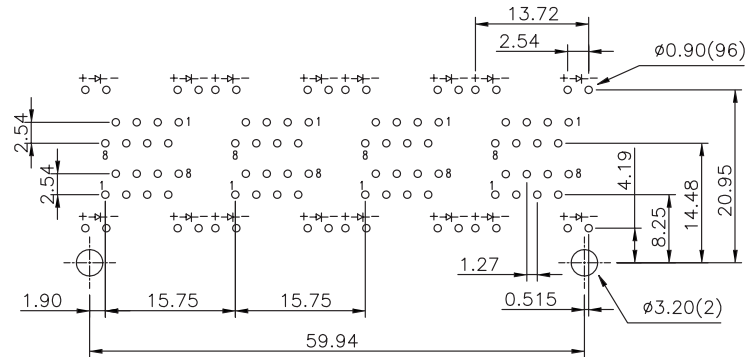
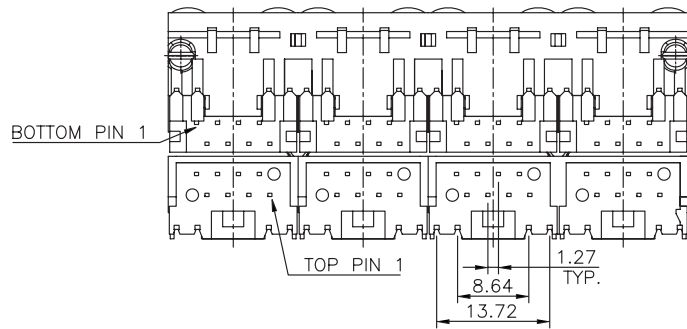


MATERIAL:

- BOTTOM HOUSING—DSM STANYL TE250F6 (NYLON-46)
HEAT DEFLECTION TEMP.290°
BLACK COLOR, UL94V-0
 - TOP HOUSING—PBT POLYESTER UL94V-0
MIXED GLASS FIBER, BLACK COLOR.
 - CONTACTS—0.35mm THICK PHOS-BRONZE PLATED
WITH HARD GOLD AND GOLD FLASH IN
SOLDER AREA.
- CAVITY CONFIRMS TO FCC RULES AND REGULATIONS
PART 68,SUBPART F.



PCB LAYOUT

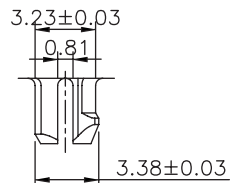
Ref.

Ordering Information

AJT36L 8 8 8 3-0 X 0

Type Positions Contacts Ports Plating
3=30u"
4=50u"
No Shield

	LED1	LED2		LED1	LED2
1=	Yellow	Green	5=	Green	Red
2=	Green	Green	6=	Red	Green
3=	Green	Yellow	7=	Yellow	Yellow
4=	Green	Orange	8=	Grn/Ylw	Grn/Ylw
			9=	Red/Grn	Red/Grn



DETAIL X

Tolerance
unless otherwise specified
.0 ± .25
.00 ± .20
.000 ± .10

RIA CONNECT	P/N: AJT36L8883-0X0
Desc.: Side entry, unshielded, 2 X 4, LED, thru hole modular jack	
Date: 9-01-09	Drawn By: Donna Mears
Dimensions in mm	Verified By: Mike Balekdjian