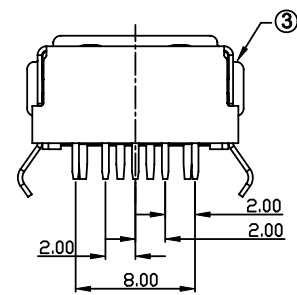
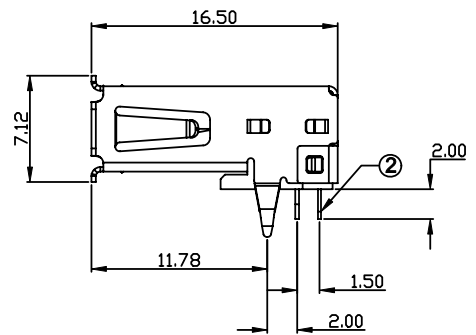
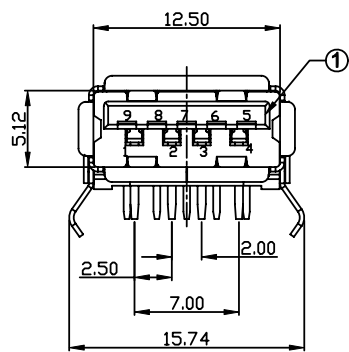


NO.	NAME	MATERIAL	FINISH
1	HOUSING	PBT	
2	PIN TEAM	PHOS. BRONZE	Gold-Tin Plated
3	SHELL	BRASS	Ni Plated



Ordering Information

AJT33G	9	9	1	3	0	0	1
Type	Positions	Contacts	Ports	Plating	Insert		
				3 = 30u"	1 = Blue		

Tolerance
unless otherwise specified
mm
.0 ± .25
.00 ± .15
.000 ± .075

RIA CONNECT	P/N: AJT33G9913-001
Desc.: USB A modular jack, USB 3.0 compliant	
Date: 12-29-09	Drawn By: Donna Mears
Dimensions in mm	Verified By: Mike Balekdjian