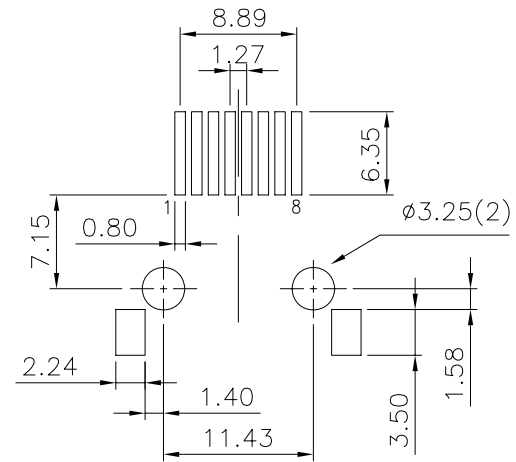


DETAIL X

MATERIAL:

- HOUSING—PA9T GN2330
HEAT RESISTANT PLOYAMIDE RESIN
BLACK COLOR, UL94V-0
- INSERT HOUSING—DSM STANYL TE250F6 (NYLON-46)
HEAT DEFLECTION TEMP.290°
BLACK COLOR, UL94V-0.
- CONTACTS—0.35mm THICK PHOS-BRONZE
PLATED WITH HARD GOLD AND
GOLD FLASH IN SOLDER AREA.
- SHIELD—0.20mm THICK COPPER ALLOY,
PLATED WITH NICKEL.

CAVITY CONFIRMS TO FCC RULES AND REGULATIONS
PART 68,SUBPART F.



PCB LAYOUT

Ref.

Ordering Information

AJS58B	A	X	1	X
Type	Positions A (10)	Contacts 8, A (10)	Ports	Plating 1 =6u" 3 =30u"

Tolerance unless otherwise specified mm .0 ± .25 .00 ± .13 .000 ± .05

RIA CONNECT	P/N: AJS58BAX1X
Desc.: Side entry, SMT modular jack	
Date: 8-16-10	Drawn By: Donna Mears
Dimensions in mm	Verified By: Mike Balekdjian