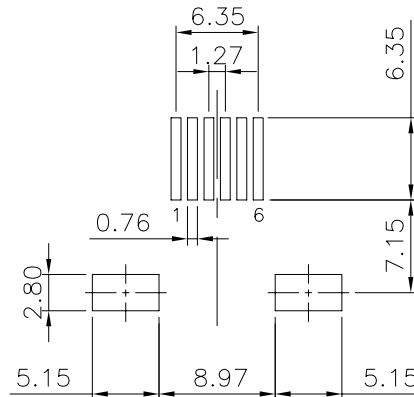
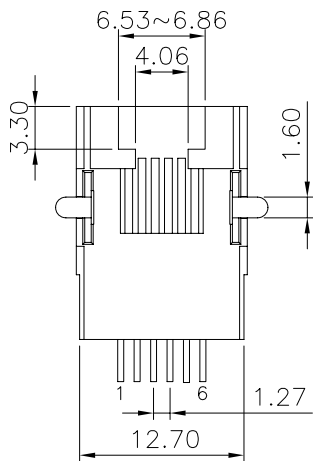


MATERIAL:

- HOUSING—DSM STANYL TE250F6 (NYLON-46)
HEAT DEFLECTION TEMP.290°
BLACK COLOR, UL94V-0
- CONTACTS—0.35mm THICK PHOS-BRONZE
PLATED WITH HARD GOLD AND
GOLD FLASH IN SOLDER AREA.
- HOLD DOWN—0.30mm THICK COPPER ALLOY,
PLATED WITH NICKEL.

CAVITY CONFIRMS TO FCC RULES AND REGULATIONS
PART 68,SUBPART F.



PCB LAYOUT

Ref.

Ordering Information

AJS57A	6	6	1	X
Type	Positions	Contacts	Ports	Plating 1 = 6u" 3 = 30u"

Tolerance
unless otherwise specified
mm
.0 ± .25
.00 ± .13
.000 ± .05



P/N: AJS57A661X

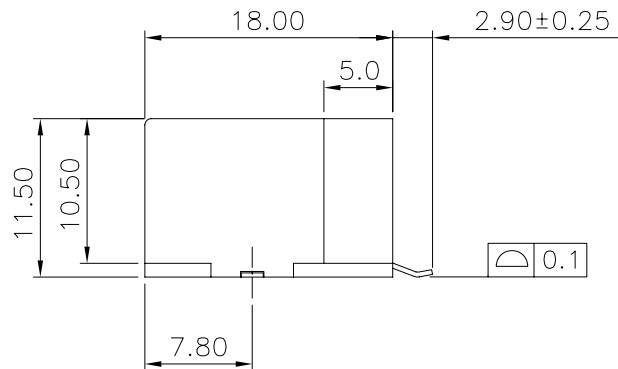
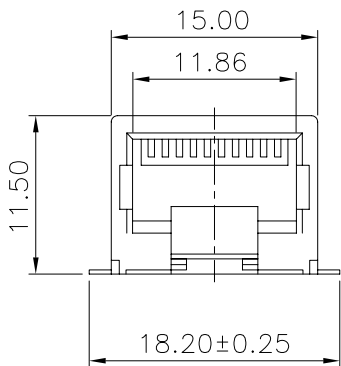
Desc.: Side entry, unshielded, SMT modular jack

Date: 2-4-10

Drawn By: Donna Mears

Dimensions in mm

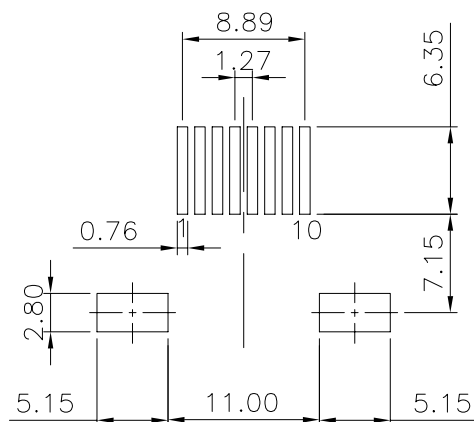
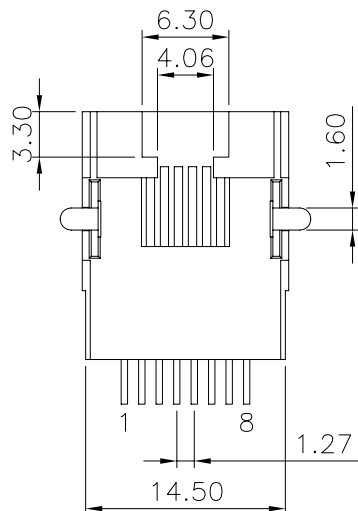
Verified By: Mike Balekdjian



MATERIAL:

- HOUSING—DSM STANYL TE250F6 (NYLON-46)
HEAT DEFLECTION TEMP.290°
BLACK COLOR, UL94V-0
- CONTACTS—0.35mm THICK PHOS-BRONZE
PLATED WITH HARD GOLD AND
GOLD FLASH IN SOLDER AREA.
- HOLD DOWN—0.30mm THICK COPPER ALLOY,
PLATED WITH TIN.

CAVITY CONFIRMS TO FCC RULES AND REGULATIONS
PART 68,SUBPART F.



PCB LAYOUT
Ref.

Ordering Information

AJS57A	A	X	1	X
Type	Positions A (10)	Contacts 8, A (10)	Ports	Plating 1 =6u" 3 =30u"

Tolerance
unless otherwise specified
mm
.0 ± .25
.00 ± .13
.000 ± .05

RIA CONNECT	P/N: AJS57AAX1X
Desc.: Side entry, unshielded, SMT modular jack	
Date: 8-16-10	Drawn By: Donna Mears
Dimensions in mm	Verified By: Mike Balekdjian