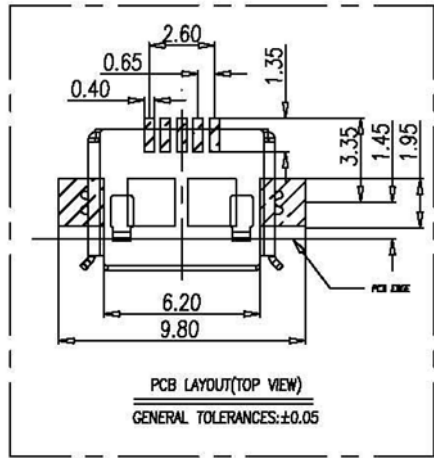
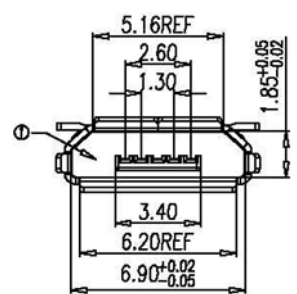


Note:

Specification:

1. Rated voltage and current: 1.5A at 250V AC minimum.
2. Dielectric withstanding voltage: 500V AC/1 minute without breakdown.
3. Contact resistance: Before life test 30m ohm max, After life test 50m ohm max.
4. Insulation resistance: 1000M ohm min.
5. Insertion force: 35 Newtons maximum.
6. Extraction force: 10 Newtons minimum.
7. Solderability: Terminal shall be immersed in flux before text, Then dip in molten solder for 5±0.5 sec. At 245±5°C.



Ordering Information

AJS17G	5	5	1	F
Type	Positions	Contacts	Ports	Plating F=Flash

Tolerance
unless otherwise specified

- .0 ± .30
- .00 ± .20
- .000 ± .XXX
- angles ± 3°

RIA CONNECT	P/N: AJS17G551F
Desc.: Micro-USB type B receptacle, Horizontal SMD, mates with AJP39G Micro-B plug	
Date: 12-18-08	Drawn By: Donna Mears
Dimensions in mm	Verified By: Mike Balekdjian