

### Specifications

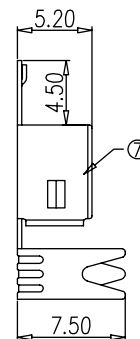
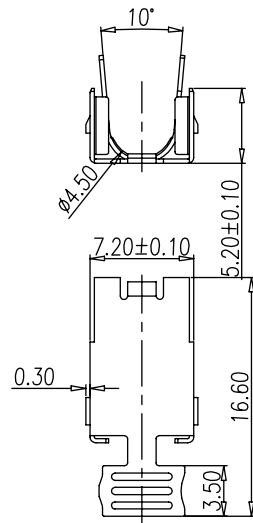
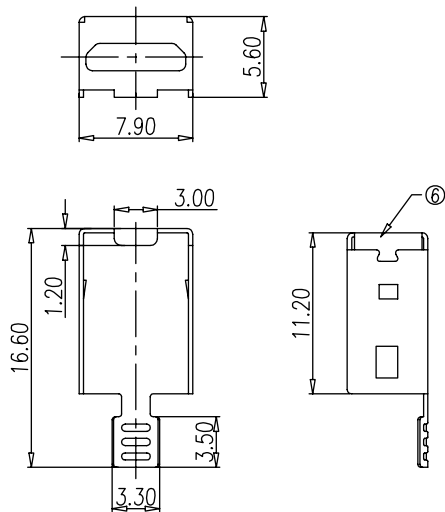
Current Rating: 1 A Max.

Insulation Resistance: 1000MΩ Min at DC 500V.

Dielectric Withstanding: 500V(ac) for 1 minute.

Contact Resistance: 30m Ω Max.

7	Top Shell	1	SPCC	T=0.30mm	Cu:40"min.80u"~120u"Nickel Plated
6	Down Shell	1	SPCC	T=0.30mm	Cu:40"min.80u"~120u"Nickel Plated
5	Shell	1	Stainless Steel	T=0.20mm	Nickel Plated
4	Spring	1	Stainless Steel	T=0.40mm	No Plated
3	Contact	5	Phosphor bronze	T=0.20mm	Contact area:30u" Gold Plated over 40u"Nickel min. Solder area:80~120u" Tin Plated over 40u" Nickel min.
2	Hood	1	LCP	UL 94-V0	Black
1	Housing	1	LCP	UL 94-V0	Black
No.	Name	Q'ty	Material	Remarks & Thickness	Finish



### Ordering Information

AJP39G	5	5	1	F
Type	Positions	Contacts	Ports	Plating
				F=Flash

Revision 1

**RIA**CONNECT

P/N: AJP39G551F

Desc.: Micro-USB type B plug, mates with AJS17G Micro-B SMT USB

Date: 10-22-09

Drawn By: Donna Mears

Dimensions in mm

Verified By: Mike Balekdjian

Tolerance  
unless otherwise specified

.0 ± .30  
.00 ± .20  
.000 ± .XXX  
angles ± 3°