

Specifications

Description AJP26A

Unshielded
6 positions

Technical Data AJP26A

Electrical: UL applications: 250 volts AC max at 2 amps

Dielectric withstanding voltage: 500 volts AC

Insulation resistance: 500 megohms

Termination: resistance 35 milliohms max after environmental testing

Mechanical: Cable-to-plug tensile strength: 20lbs min

Durability: 2000 mating cycles

Material & Finish: Housing: polycarbonate, UL94V-2

Color: clear

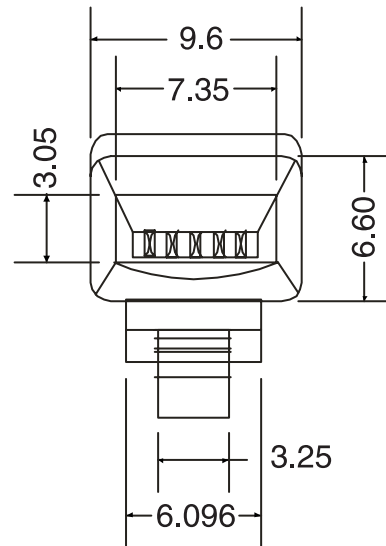
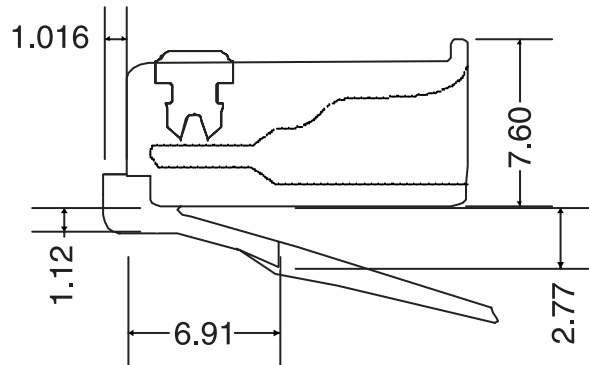
Contact: high strength copper alloy
50u" Au plating over 100u" nickel in contact area

Conductor: stranded, 24, 26, 28 AWG

Ordering Information

AJP26A	6	6	2	3	-	1	2	1
Type	Positions	Contacts	Wire Type	Plating				
			Round	3 = 30u"				
				4 = 50u"				

1 = Stranded Wire
2 = 94V2 Plastic Type
1 = Long Body



RIA CONNECT	P/N: AJP26A6623-121
Desc.: Unshielded plug	
Date: 4-13-06	Drawn By: Donna Mears
Dimensions in mm	Verified By: Mike Balekdjian