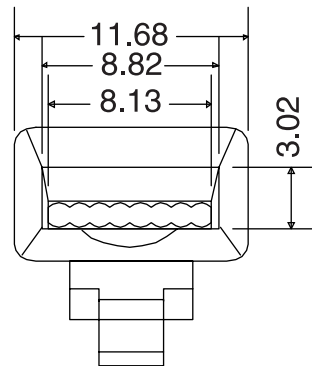


Flat



Round

## Specifications

Description AJP25A

Unshielded  
8 positions

### Technical Data AJP25A

**Electrical:** UL applications: 250 volts AC max at 2 amps

Dielectric withstanding voltage: 500 volts AC

Insulation resistance: 500 megohms

Termination: resistance 35 milliohms max after environmental testing

**Mechanical:** Cable-to-plug tensile strength: 20lbs min

Durability: 2000 mating cycles

**Material & Finish:** Housing: polycarbonate, UL94V-2

Color: clear

Contact: high strength copper alloy  
50u" Au plating over 100u" nickel in contact area

Conductor: stranded & solid wire, 24, 26, 28 AWG

### Ordering Information

AJP25A	8	8	X	3	-	1	2	5
Type	Positions	Contacts	Wire Type	Plating				
			1=Flat 2=Round	3=30u" 4=50u"				

1=Stranded Wire  
2=94V2 Plastic Type  
5=Short Body

<b>RIA</b> CONNECT	P/N: AJP25A88X3-125
Desc.: Unshielded plug, CAT 5e	
Date: 4-13-06	Drawn By: Donna Mears
Dimensions in mm	Verified By: Mike Balekdjian