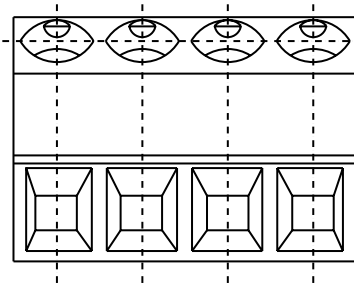
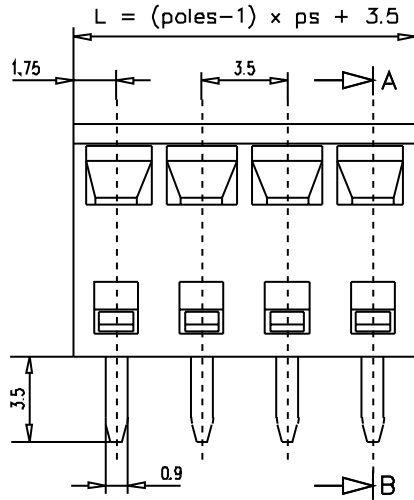
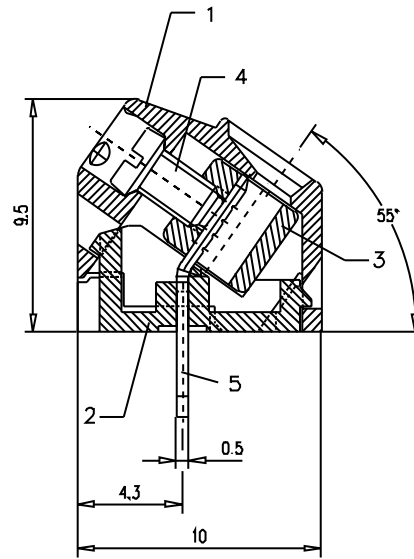
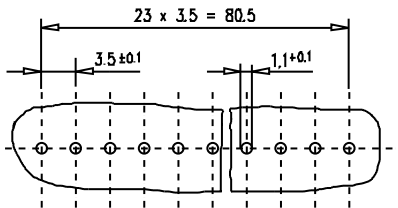


Diese unsere vorläufige Zeichnung darf nicht
 als verbindlich angesehen werden. Nach
 der Freigabe der Zeichnung durch den
 Hersteller sind alle Änderungen
 nach Maßgabe der Fertigung zu
 berücksichtigen.



drill pattern in the PCB
2:1



Technical Data

Insulation co-ordination according to DIN/VDE 0110-1 04.97

pin spacing
voltage

surge voltage

Insulation material group
minimum clearances or creepage
distances
maximum current/cross-section
tightening torque
at connected nominal diameter
wire range

wire sizes

single wire / stranded wire
flexible with end sleeve without/with plastic sleeve

multiple wire termination (2 wires with the same cross section)

single wire / stranded wire

rated cross section

mm²

soldering pin

soldering pin length

max. limiting temperature

min. limiting temperature

climatic class

type of protection

according to IEC 529

number of poles

wire strip length

approvals

according to:

UL		VDE	
0.138 in. 200V	0.276 in. 500V	3.5mm 200V~eff	7mm 500V~eff
		according to VDE 0110	
		degree of contamination 3	
		2.5kV 6kV	
		at overvoltage category III	
		insulating material k: 600 ? CTI	
		2.6mm	
		at connected single wire Ø1.4mm	
		10A / 1mm ²	
		0.25 Nm max.	
10A / 1mm ² 3 lb-in			
AWG Cu. sol./str. wire AWG 28 - 16		Ø0.3mm - Ø1.4mm AWG 28 - 16	

0.14-1.5mm² / 0.14-1mm²

0.25-0.5mm² / 0.25-0.5mm²

0.14-0.5mm² / 0.14-0.2mm²

(single-wire) 1.5
stranded wire 1
AWG 16

0.5mm x 0.9mm

3.5mm

257F (+125°C)

-40F (-40°C)

40/125/56 according to DIN IEC 68-1

IP 20 at connected nominal diameter

2 - 24 poles

5mm

Materials

item 1 insulating body

part-no. 711695-305-02-6

through part-no. 711695-305-24-6

item 2 terminal molding cover

part-no. 711696-305-02-6

part-no. 711696-305-24-6

item 3 connector body M2

part-no. 718460-0116

item 4 terminal screw M2

part-no. 795126-01

item 5 wire protector

part-no. 717211-0124 detached

or part-no. 717211-0224 stripped

PA 66 Frianyl A63 V0 green (unbreakable) flame resistant
and self-extinguishing, according to UL 94V-0,
stated under the File-No. E86034 (M);
temperature range -40F to +257F, for short time up to +365F

brass CuZn39 Pb2

4µm nickel plated

steel quality 8.8

4µm nickel plating over 8µm copper plating

copper alloy CuSn 6, 3-6µm tin plating over

2µm nickel plating

Verwendungsbereich	Zul. Abh.	Oberfläche	Maßstab	Gewicht
RACON USA			5:1 2:1	
			Werkstoff, Rohteil	Werkstoff-Artikel-Nummer
	Datum	Name	Benennung	
	Bearb. 24.09.99	Heiler	data sheet	
	Gepr.		55° series types 305 ps 3.5mm	
	Norm		with lift system	
			Artikel-Nummer	Teil-Code
			31305	9-7123
			Blatt	Bk.
02	AW 151/00	26.04.00	An.	
01	AW 058/00	08.02.00	An.	
Zust.	Änderung	Datum	Norm	CAD-Nr.: 31305CA2
				Ers. d.: Ers. f.:

T
 MW
 OS
 TP5B
 TPK
 TPR
 TAYR
 WAVA
 WAVA-E
 WMLR
 TPB
 TAYB
 WAYR
 WMLB
 TWSF
 TWST
 MAYT
 G3teprüf
 Konform
 MAMS