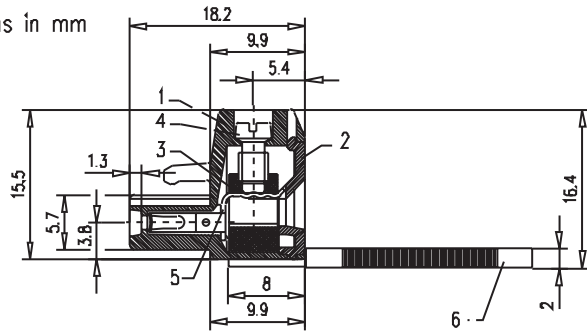
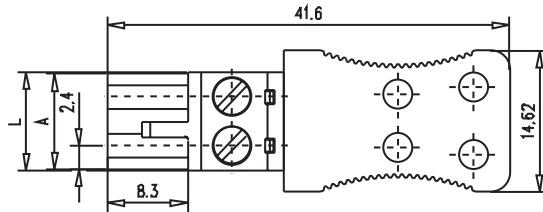


dimensions in mm



$$L = (\text{poles}-1) \times ps + 5.08$$

$$A = (\text{poles}-1) \times ps + 4.8$$



### Materials

- |         |  |   |
|---------|--|---|
| item 1  | insulating body = black<br>part-no. 711583-249-02-2  |   |
| through | part-no. 711583-249-05-2   | PA 66 Frianyl A63 V0 flame-retardant according to UL 94V-0 free of halogen and phosphorus, stated under the file-no. E86034 (M) temperature range -40°F (-40°C) to +221°F (+105°C) for short time up to +365°F (+185°C) |
| item 2  | molding cover = black<br>part-no. 711584-249-02-2  |   |
| through | part-no. 711584-249-05-2   |   |
| item 3  | connector body M3<br>part-no. 718503-0116  | brass CuZn39 Pb2<br>4µm nickel plated   |
| item 4  | terminal screw M3<br>part-no. 795059-0101  | steel quality 8.8<br>4µm nickel plating over 8µm copper plating (standard)  |
| item 5  | wire protector detached<br>part-no. 717216-0101<br>or<br>wire protector on strip<br>part-no. 717216-0201 | copper alloy Cu Sn6<br>0.8 - 3.3µm tin plated   |
| item 6  | strain relief<br>part-no. 720388-250-02-2<br>through<br>part-no. 720388-250-03-2                         | PA 66 Frianyl A63 V0 flame-retardant according to UL 94V-0 free of halogen and phosphorus, stated under the file-no. E86034 (M) temperature range -40°F (-40°C) to +221°F (+105°C) for short time up to +365°F (+185°C) |

### Technical Data

Insulation co-ordination according to DIN/VDE 0110-1 04.97

pin spacing  
voltage

surge voltage

Insulation material group  
minimum clearances or creepage distances  
maximum current / cross section  
lightening torque  
at connected nominal diameter  
wire range

rated cross section  
mm<sup>2</sup>  
contact resistance

max. limiting temperature  
min. limiting temperature  
climatic class  
type of protection  
according to IEC 529  
number of poles  
wire strip length  
approvals

according to:

UL		VDE	
0,200 in. 300V	0,400 600V	5,08mm 250V~eff according to VDE 0110 degree of contamination 3 4kV   6kV at overvoltage category III insulating material I: 600 ? CTI 3,6mm at connected solid wire Ø2,3mm 12A / 4mm <sup>2</sup> 0,5 Nm max. Ø0,3mm - Ø2,3mm	10,16mm 630V~eff 6kV
12A / AWG 12 4.5 lb-in			
AWG Cu, Sol/Str wire No. 2B-12			

(single-wire) stranded wire AWG  
4 2.5 12  
? 10mΩ per pole measured  
from the clamping point via the header to the printed-circuit board

+105°C  
-40°C  
40/105/56 according to DIN IEC 68-1  
IP 20 at connected nominal diameter  
2 - 5 poles  
8mm

Verwendungsbereich RIACON USA		Zul. Abw.	Oberfläche	Maßstab 2:1 Werkstoff, Rohteil	Gewicht Werkstoff-Artikel-Nummer
		Datum	Name	Benennung	
		Bearb.	12.09.01	A.S.	data sheet
		Capr.			series type 250 ps 5.08mm
		Norm			with lilt system and strain relief
				Artikel-Nummer	Teile-Code
				31250	9-7211
					Blatt
					Bl.
* Zust.	Änderung	Datum	Name	CAD-Nr.: 31250C2	Ers. d.: Ers. f.:

Diese Messung wurde...  
 Änderungen...  
 im Entwurf...  
 dieser...

- T
- MW
- OS
- TPSB
- TPX
- TPR
- TAVR
- MAYA
- MAYA-E
- MWLR
- TPB
- TAVB
- MAYR
- MWLB
- TWSE
- TWST
- MAYT
- Güteprüfer
- Konform
- MAWS