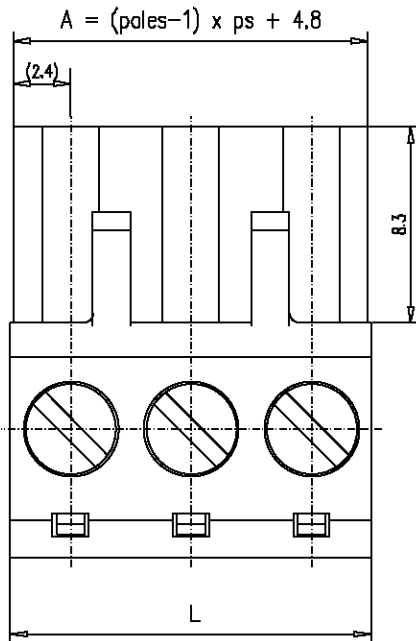
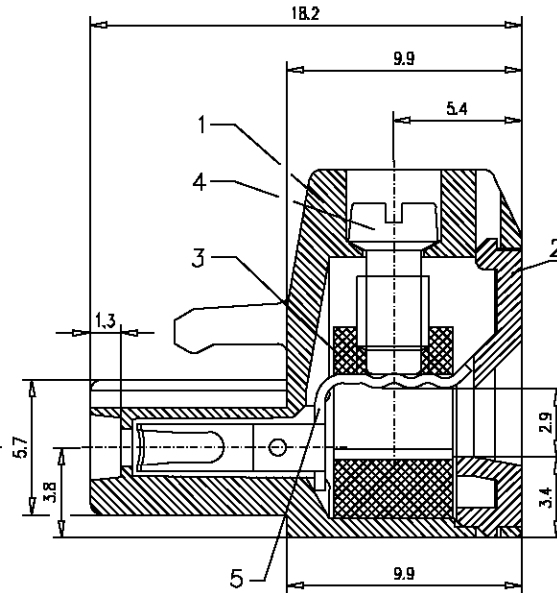
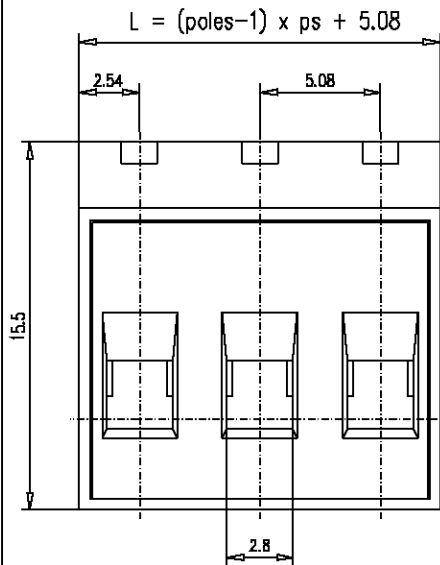


dimensions in mm



Technical Data

Insulation co-ordination according to DIN/VDE 0110-1 04.97

pin spacing voltage

surge voltage

Insulation material group
minimum clearances or creepage distances
maximum current / cross section
tightening torque
of connected nominal diameter wire range

rated cross section
mm²
contact resistance

withdrawing force
max. limiting temperature
min. limiting temperature
climatic class
type of protection
according to IEC 529
number of poles
wire strip length
approvals

according to:

UL		VDE	
0,200 in. 300V	0,400 600V	5,08mm 250V-eff	10,16mm 630V-eff
according to VDE 0110			
degree of contamination 3			
4kV 6kV			
at overvoltage category III			
insulating material t: 600 ? CTI			
3.6mm			
at connected solid wire ø2.3mm			
15A / 4mm ²			
0.5 Nm max.			
ø0.3mm - ø2.3mm			

12A / AWG 12
4.5 lb-in

AWG Cu, Sol/Str wire
No. 28-12

(single-wire) stranded wire AWG
4 2.5 12
? 10mA at I=500mA after 100 plug-contacts per pole
from the clamping point via the header to the printed-circuit board
per circuit 1.0N ... 3.0N
+125°C
-40°C
40/125/56 according to DIN IEC 68-1

IP 20 at connected nominal diameter
2 - 24 poles
8mm
UL File E121004 CSA File 85368 SEV

Materials

- item 1 insulating body
part-no. 711583-249-02-2 PA 66 Frianyl A63 V0 brown (unbreakable) flame resistant
part-no. 711583-249-24-2 and self-extinguishing, according to UL 94V-0,
stated under the File-No. E86034 (M);
temperature range -40°F (-40°C) to +257°F (+125°C)
for short time up to +365°F (+185°C)
- item 2 terminal molding cover
part-no. 711584-249-02-2
part-no. 711584-249-12-2
- item 3 connector body M3
part-no. 718503-0116 brass CuZn39 Pb2
4µm nickel plated
- item 4 terminal screw M3
part-no. 795059-0101 steel quality 8.8
4µm nickel plating over 8µm copper plating (standard)
- item 5 wire protector detached
part-no. 717216-0101
or wire protector on strip
part-no. 717216-0201 copper alloy Cu Sn6
0.8 - 3.5µm th plated

Verwendungsbereich RACON USA		Zul. Abw.	Oberfläche	Maßstab 5:1	Gewicht
				Werkstoff, Rohteil	Werkstoff-Artikel-Nummer
06	Rm 349/98	08.09.99	Heller		
07	Rm 015/98	20.01.99	Bo.	Bearb.	16.02.96
08	Rm 110/98	17.03.98	JK	Capr.	
09	Rm 238/97	11.06.97	Heller	Norm	
0A	Rm 142/97	01.04.97	Heller		
0B	Rm 069/97	04.03.97	A. Jaag		
0C	Rm 023/97	22.01.97	JK		
0D	Rm 408/96	28.06.96	JK		
Zust.	Änderung	Datum	Name	CAD-Nr.	31249C02

Benennung	Artikel-Nummer	Teil-Code	Blatt
data sheet series type 249 ps 5.08mm with lift system	RIA 31249	9-7211	Bl.

Diese sowie andere Auslegungen sind dem
 Abnehmer ohne Verpflichtung, nach Prüfung zu
 genehmigen. Wir übernehmen keine Haftung für
 Schäden, die aus dem Gebrauch dieser Produkte
 ohne mündlich erteilte Anweisung resultieren.

- T
- MW
- QS
- TPSB
- TPK
- TPR
- TAYR
- MAYA
- MAYA-E
- MWLR
- TPB
- TAYB
- MAYR
- MWLB
- TW5F
- TW5T
- MAYT
- CUleptiler
- Konform
- MAWS