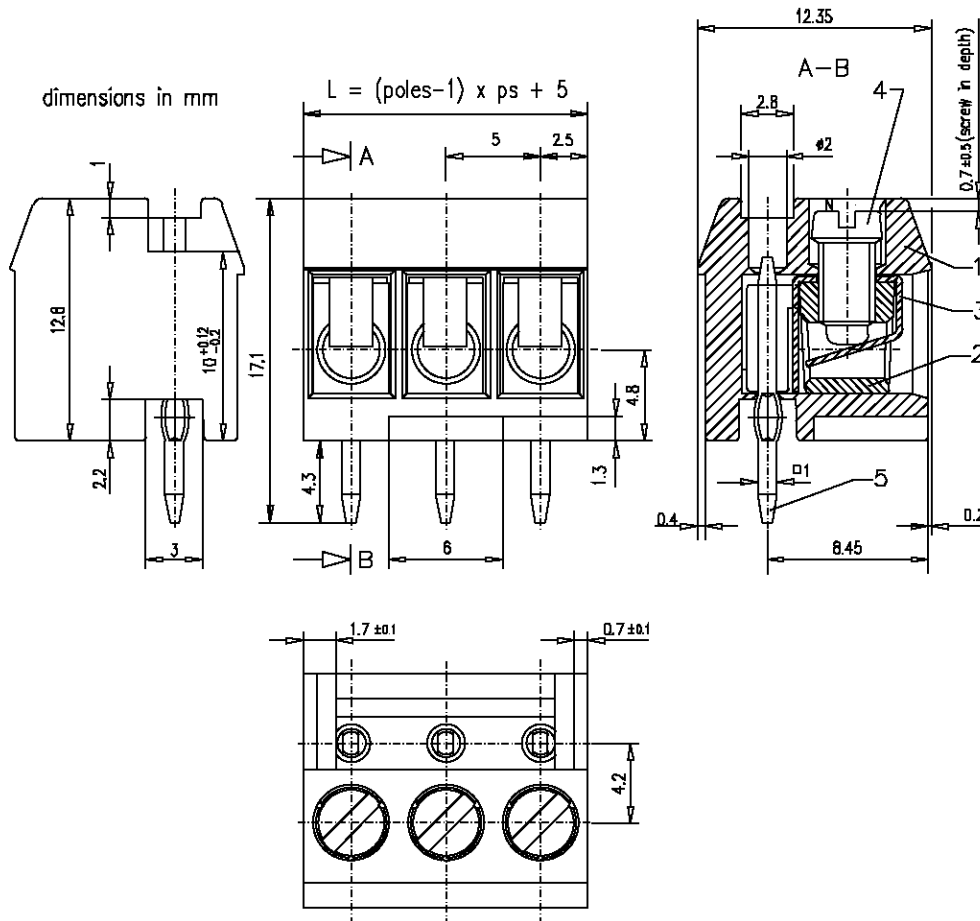


dimensions in mm



Technical Data

Insulation co-ordination according to DIN/VDE 0110-1 04.97

pin spacing voltage

surge voltage

Insulation material group
minimum clearances or creepage distances

maximum current
tightening torque
at connected nominal diameter
wire range

Additional wire sizes and/or combinations of same size wires as follows:
- Wire range extended to No. 30 AWG for field-wiring.
+ - Two same size wires No. 22-16 AWG Cu, Sol/Str for field-wiring;
No. 30-16 AWG Cu Sol/Str factory-wiring.

rated cross section

contact resistance

withdrawing force

max. limiting temperature

min. limiting temperature

climatic class

type of protection

according to IEC 529

number of poles

wire strip length

approvals

according to:

| UL | | VDE | |
|-------------------|-------------------|---|--|
| 0.197 in. 300V | 0.394 in. 600V | 5mm 125V~eff 2.5kV at overvoltage category III insulating material I: 600 ? CTI 2.3mm at connected solid wire ϕ 1.8mm 6A 0.5 Nm max. | 10mm 500V~eff 500V~eff according to VDE 0110 degree of contamination 3 6kV at overvoltage category III insulating material I: 600 ? CTI 2.3mm at connected solid wire ϕ 1.8mm 6A 0.5 Nm max. |

| (single-wire) | stranded wire | AWG |
|---------------|---------------|-----|
| 2.5 | 1.5 | 12 |

? 10m Ω at I=500mA after 100 plug-contacts per pole, measured from the clamping pint via the header to printed-circuit board
per circuit 0.75N ... 3.5N
+125°C
-40°C
40/125/56 according to DIN IEC 68-1

IP 20 at connected nominal diameter
2 - 24 poles
6mm
UL File E 121004 SEV

Materials

| item | description | material |
|--------|--|--|
| item 1 | insulating body part-no. 711588-108-02-0 through part-no. 711588-108-24-0 | PA 66 Frlanyl A63 VD brown (unbreakable) flame resistant and self-extinguishing, according to UL 94V-0, stated under the File-No. E86034 (M); temperature range -40F (-40°C) to +257F (+125°C) for short time up to +365F (+185°C) |
| item 2 | connector body M3 part-no. 718449-0116 | brass CuZn39Pb2 4 μ m nickel plated |
| item 3 | wire protector part-no. 717110-01 | copper alloy CuSn4 T4 0.8 - 3.3 μ m tin plated |
| item 4 | terminal screw M3 part-no. 795047-01 | steel quality 8.8 4 μ m nickel plating over 8 μ m copper plating (standard) |
| item 5 | contact pin 14mm part-no. 718016-1101 | CuFe 2P pin 1mm ϕ 5 μ m silver plating over 2 μ m nickel plating (standard) |

| Verwendungsbereich | | Zuk. Abw. | Oberfläche | Maßstab 4:1 | Gewicht |
|--------------------|-----------|-----------|------------|--------------------|--------------------------|
| RIACON USA | | | | Werkstoff, Rohteil | Werkstoff-Artikel-Nummer |
| | | Datum | Name | Benennung | |
| | | Bearb. | 19.02.98 | Heller | data sheet |
| | | Gepr. | | | series type 108 ps 5mm |
| | | Norm | | | |
| 03 | Am 323/99 | 02.08.99 | Am | RIA | Artikel-Nummer |
| 02 | Am 207/99 | 22.06.99 | Ba | | 31108 |
| 01 | Am 018/99 | 14.01.98 | Ba | | 9-7221 |
| Zust. | Änderung | Datum | Name | CAD-Nr.: | 31108C3 |
| | | | | Ers. d.: | Ers. Lt. |

Das wesentliche Ausmaß der Abmessung nach vorliegender Zeichnung ist durch die Angabe der Maßzahl zu verstehen. Die Angabe der Maßzahl ist nur ein Hinweis auf die Genauigkeit der Ausführung. Die Maßzahl ist nicht als Maß für die Genauigkeit der Ausführung zu verstehen. Die Maßzahl ist nicht als Maß für die Genauigkeit der Ausführung zu verstehen.

- T
- MW
- QS
- TPSB
- TPK
- TPR
- TAYR
- MAYA
- MAYA-E
- MWLR
- TPB
- TAYB
- MAYR
- MWLB
- TWSF
- TWST
- MAYT
- Götesried
- Konform
- MAMS