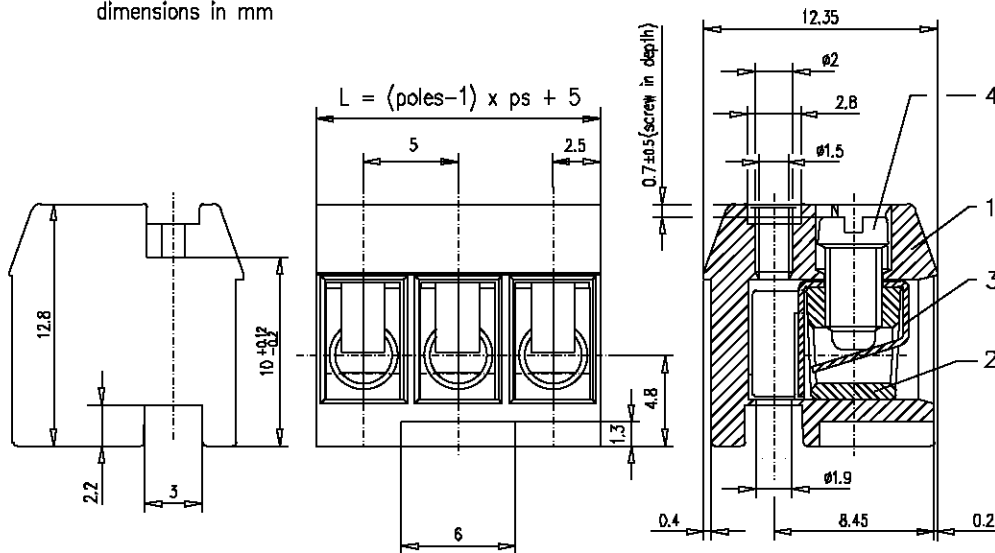


dimensions in mm



Technical Data

Insulation co-ordination according to DIN/VDE 0110-1 04.97

pin spacing voltage

surge voltage

Insulation material group
minimum clearances or creepage distances

maximum current
tightening torque at connected nominal diameter wire range

Additional wire sizes and/or combinations of same size wires as follows:

- # - Wire range extended to No. 30 AWG for field-wiring.
- + - Two same size wires No. 22-16 AWG Cu, Sol/Str for field-wiring; No. 30-16 AWG Cu Sol/Str factory-wiring.

rated cross section
mm²

contact resistance

withdrawing force

max. limiting temperature

min. limiting temperature

climatic class

type of protection

according to IEC 529

number of poles

wire strip length

approvals

according to:

UL		VDE	
0.197 in. 300V	0.394 in. 600V	5mm 125V-eff	10mm 500V-eff
		according to VDE 0110	
		degree of contamination 3	
		2.5kV 6kV	
		at overvoltage category III	
		insulating material I; 600 & CTI	
		2.3mm	
		at connected solid wire Ø1.8mm	
		6A	
		0.5 Nm max.	
		Ø0.3mm - Ø1.8mm	

10A
7 lb-in

AWG Cu, Sol/Str wire
No. 22-12 # +

(single-wire) stranded wire AWG

2.5 1.5 12

6 10mΩ at I=500mA after 100 plug-contacts per pole, measured from

the clamping pint via the header to printed-circuit board

per circuit 0.75N ... 3.5N

+125°C

-40°C

40/125/56 according to DIN IEC 68-1

IP 20 at connected nominal diameter

2 - 24 poles

6mm

UL File E121004 C-UL SEV

Materials

item 1 insulating body
part-no. 711592-107-02-0
through part-no. 711592-107-24-0

item 2 contactor body M3
part-no. 718449-0116

item 3 wire protector
part-no. 717110-01

item 4 terminal screw M3
part-no. 795047-01

PA 66 Frianyl A63 V0 brown (unbreakable) flame resistant and self-extinguishing, according to UL 94V-0, stated under the File-No. E86034 (M); temperature range -40°F (-40°C) to +257°F (+125°C) for short time up to +365°F (+185°C)

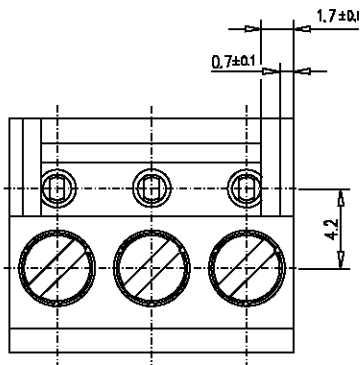
brass CuZn39Pb2
4µm nickel plated

copper alloy CuSn4 T4
0.8 - 3.3µm tin plated

steel quality 8.8
4µm nickel plating over 8µm copper plating (standard)

Diese sowie sonstige Zustimmungen sind über
 die Zeichnung zu bestätigen, nach Prüfung zu
 bestätigen, wenn und ab der Zeit
 dieses Maßstabes verwendet werden.

- T
- MW
- QS
- TPSB
- TPK
- TPR
- TAYR
- MAYR
- MAYA-E
- MWLR
- TPB
- TAYB
- MAYR
- MWLB
- TWSF
- TWST
- MAVT
- GTep/Tr
- Konform
- MAWS



Verwendungsbereich RIACON USA		Zul. Abw.		Oberfläche		Maßstab 4:1		Gewicht	
						Werkstoff, Rohstoff		Werkstoff-Artikel-Nummer	
				Datum		Name		Benennung	
				Bearb. 18.07.96		Wiss.		data sheet	
06 ZV 207/99		22.06.99 Ba.		Capr.				series type 107 ps 5mm	
05 ZV 015/99		14.01.99 Ba.		Norm					
04 ZV 082/96		17.02.98 Heller							
03 ZV 121/97		27.05.97 JK							
02 ZV 099/97		21.03.97 JK							
01		28.01.87 Heller							
				RIA		Artikel-Nummer		Teile-Code	
						31107		9-7221	
								Blatt	
								Bl.	
Zust.		Änderung		Datum		Name		CAD-Nr.: 31107C02	
								Ers. d.:	
								Ers. f.:	