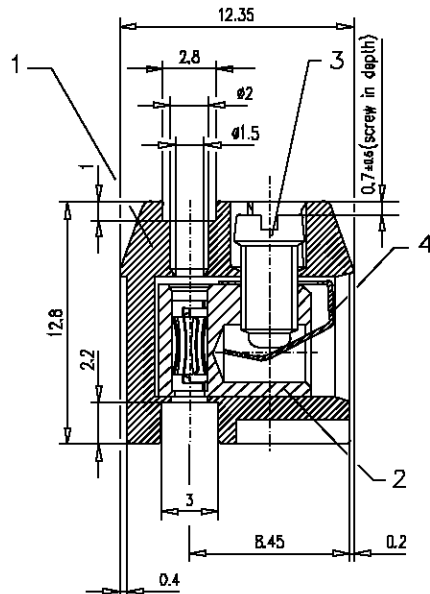
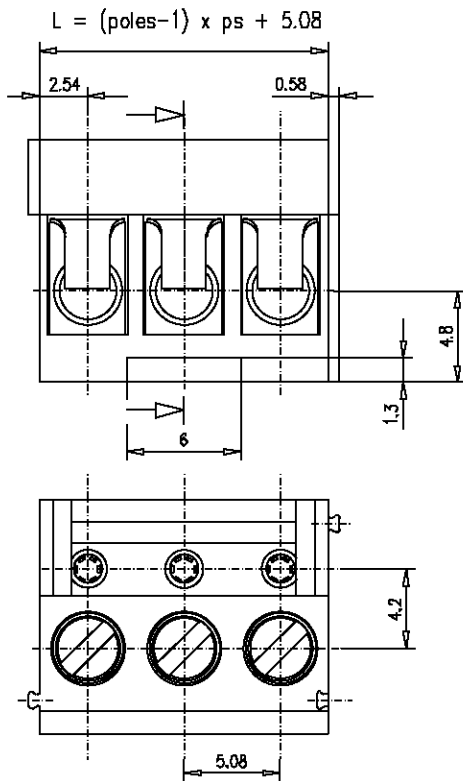


dimensions in mm



type 80 no wire protector

Technical Data

Insulation co-ordination according to DIN/VDE 0110-1 04.97

pin spacing voltage

surge voltage

Insulation material group
minimum clearances or creepage distances
maximum current
tightening torque of connected nominal diameter wire range

Additional wire sizes and/or combinations of same size wires as follows:

- # - Wire range extended to No. 30 AWG for factory-wiring.
- + - Two same size wires No. 22-16 AWG Cu, Sol/Str for field-wiring; No. 30-16 AWG Cu Sol/Str factory-wiring.

overvoltage category
rated cross section mm²
contact resistance

withdrawing force
max. limiting temperature
min. limiting temperature
climatic class
type of protection according to IEC 529
number of poles
wire strip length
approvals

UL		according to:		VDE	
0.200 in. 300V	0.400 in. 600V	5.08mm 125V-eff	10.16mm 500V-eff	according to VDE 0110 degree of contamination 3 2.5kV 6kV at overvoltage category III insulating material I; 600 6 CTI 2.3mm at connected solid wire Ø1.8mm 10A 0.5 Nm max. Ø0.3mm - Ø1.8mm	
		15A 7 lb-in			
		AWG Cu, Sol/Str wire No. 22-14 # +			

III
(single-wire) stranded wire AWG
2.5 1.5 14
6 5mm² at I=500mA after 100 plug-contacts per pole
from the clamping point via the header to printed-circuit board
per circuit 0.75N ... 3.5N
+125°C
-40°C
40/125/56 according to DIN IEC 68-1

IP 20 at connected nominal diameter
2 - 3poles
6mm
type 79 CSA File B5368 SEV UL File E121004
type 80 CSA File B5368 SEV

Materials

item 1	insulating body part-no. 712375-079-02-2 and part-no. 712375-079-03-2	PA 66 Frianyl A63 V0 brown (unbreakable) flame resistant and self-extinguishing, according to UL 94V-0, stated under the File-No. E86034 (M); temperature range -40F (-40°C) to +257F (+125°C) for short time up to +365F (+185°C)
item 2	connector body M3 complete part-no. 750328	brass CuZn39Pb2 4µm nickel plating over 0.5-1µm copper plating
item 3	terminal screw M3 part-no. 795047-01	berylliumcopper CuBe F520 5µm silver plating over 2µm nickel plating passivated (standard)
item 4	wire protector part-no. 710079	steel quality B.B 4µm nickel plating over 8µm copper plating (standard) copper alloy CuSn6 5-8µm tin plated

Verwendungsbereich RACON USA		Zul. Abw.	Oberfläche	Maßstab 4:1	Gewicht
				Werkstoff, Rohteil	Werkstoff-Artikel-Nummer
		Datum	Name	Benennung	
		Bearb.	09.12.96	data sheet	
		Capr.		series type 79/80 ps 5.08mm	
		Norm		modular	
03	ZM 207/89	21.06.99	Bo.	Artikel-Nummer	Teil-Code
02	ZM 016/89	18.01.99	Bo.	31079/31080	9-7331
01	ZM 258/87	27.06.97	JK		
Zust.	Änderung	Datum	Name	CAD-Nr.	31079CA3
		Ers. d.:	Ers. f.:		

