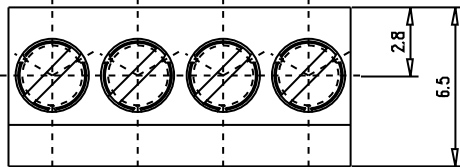
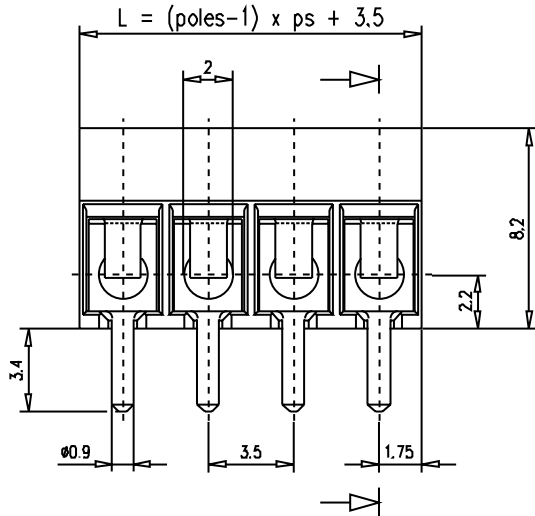
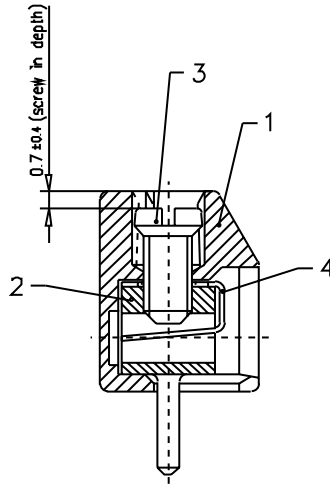
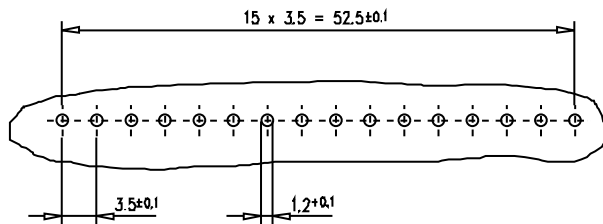


dimensions in mm



drill pattern in the PCB
2:1



Technical Data

Insulation co-ordination according to DIN/VDE 0110-1 04.97

pin spacing
voltage

surge voltage

Insulation material group
minimum clearances or creepage distances
maximum current
tightening torque
of connected nominal diameter
wire range

Additional wire sizes and/or combinations of same size wires as follows:
- 2 No. 22-20 AWG (field-wiring)
2 No. 30-20 AWG, or 1 No. 30-18 AWG (factory-wiring)

rated cross section
mm²

soldering pin

soldering pin length
max. limiting temperature
min. limiting temperature
climatic class
type of protection
according to IEC 529
number of poles
wire strip length
approvals

according to:		VDE	
UL			
0.138 in. 300V	0.276 in. 600V	3.5mm 125V~eff according to VDE 0110 degree of contamination 3 2.5kV at overvoltage category III insulating material I: 600 & CTI 2.1mm at connected solid wire Ø1.4mm 6A 0.15 Nm max.	7mm 380V~eff according to VDE 0110 degree of contamination 3 4kV at overvoltage category III insulating material I: 600 & CTI 2.1mm at connected solid wire Ø1.4mm 6A 0.15 Nm max.
	10A 3 lb-in		
	AWG Cu, Sol/Str wire No. 22-18 ###		Ø0.3mm - Ø1.4mm

(single-wire)	stranded wire	AWG
1.5	1.0	18
Ø0.9mm		
	recommended pc hole diameter Ø1.2mm	
	3.4mm	
	+125°C	
	-40°C	
	40/125/56 according to DIN IEC 68-1	
	IP 20 at connected nominal diameter	
	2 - 16 poles	
	5mm	
	UL File E121004 CSA File B5368 SEV	

Materials

item 1	insulating body part-no. 711963-059-02-0	PA 66 Frianyl A63 V0 brown (unbreakable) flame resistant and self-extinguishing, according to UL 94V-0, stated under the File-No. E86034 (M); temperature range -40F (-40°C) to +257F (+125°C) for short time up to +365F (+185°C)
through	part-no. 711963-059-16-0	
item 2	connector body M2 part-no. 718422-0300	brass CuZn39Pb2, 5µm tin plating over 2µm nickel plating machined solder pin
item 3	terminal screw M2 part-no. 711018-01	steel quality 10.9 4µm nickel plating over 8µm copper plating (standard)
item 4	wire protector part-no. 717045	copper alloy CuSn6 5-8µm tin plated

Verwendungsbereich	Zul. Abw.	Oberfläche	Maßstab 5:1 2:1	Gewicht
RIACON USA			Werkstoff, Rohteil	Werkstoff-Artikel-Nummer
	Datum	Name	Benennung	
	Bearb. 24.02.95	JK	data sheet	
	Gepr.		series type 59 ps 3.5mm	
	Nam			
04	ZW 207/99	17.06.99	Ba.	
03	ZW 015/99	13.01.99	Ba.	
02	ZW 061/98	27.05.98	Ba.	
01	ZW 392/96	21.10.96	Ba.	
Zust.	Znderung	Datum	Name	CAD-Nr.:
				31059CA2
			Ers. d.:	Ers. f.:
			Artikel-Nummer	Teile-Code
			31059	9-7111
			Blatt	Bk

Die untere rechte Zeichnung der die
 Zeichnung hier verfertigt, nach dieser zu
 den Fertigung oder Dichte nach nicht in
 diese Maßstab nicht verändert werden.

T
 MW
 OS
 TPSB
 TPK
 TPR
 TAYR
 WAVA
 WAVA-X
 MWLR
 TPB
 TAYB
 WAYR
 MWLB
 TMSF
 TMSI
 WAVI
 Gepr.
 Konform
 WANS