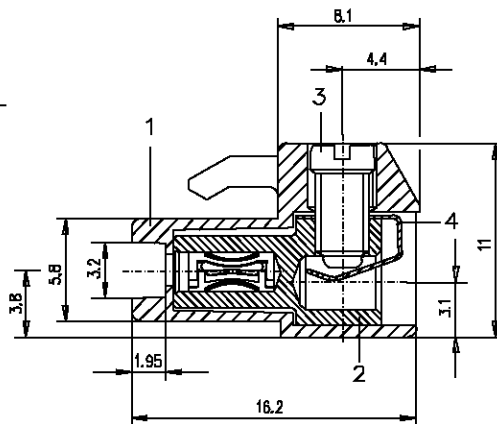
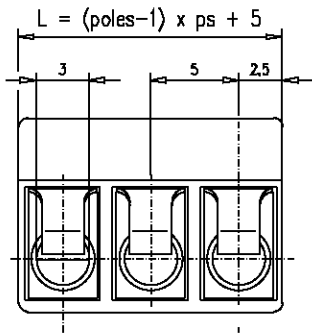
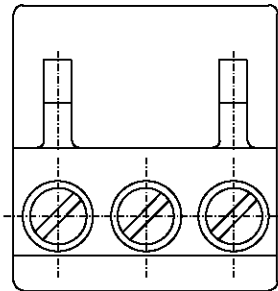


dimensions in mm



type 10 without wire protector



Technical data

Insulation co-ordination according to DIN/VDE 0110-1 04.97

pin spacing
voltage

surge voltage

Insulation material group
minimum clearances or creepage distances
maximum current
tightening torque
at connected nominal diameter
wire range

Additional wire sizes and/or combinations of same size wires as follows:

- # - Wire range extended to No. 30 AWG for field-wiring.
- ++ - Two same size wires No. 22-18 AWG Cu, Sol/Str for field-wiring; No. 30-18 AWG Cu Sol/Str factory-wiring.

rated cross section
mm²
contact resistance

withdrawing force
max. limiting temperature
min. limiting temperature
climatic class

type of protection
according to IEC 529
number of poles
wire strip length
approvals

UL		according to:		VDE	
0.197 in. 300V	0.394 in. 600V	5mm 125V-eff	10mm 500V-eff	according to VDE 0110 degree of contamination 3 2.5kV 6kV at overvoltage category II insulating material I: 500 & CTI 1.9mm at connected solid wire Ø1.8mm 10A 0.5 Nm max. Ø0.3mm - Ø1.8mm	
15A 7 lb-in		ANG Cu, Sol/Str wire No. 22-12 #, ++			

(single-wire) stranded wire
2.5 1.5 12

6.5mΩ at I=500mA after 100 plug-contacts per pole, measured from the clamping point via the header to printed-circuit board per circuit 0.75N ... 3.5N

+125°C
-40°C
40/125/56 according to DIN IEC 68-1

IP 20 at connected nominal diameter
2 - 20 poles
6mm
type 09 UL File E121004 CSA File 85368 SEV
type 10 SEV

Materials

- | | | |
|--------|--|--|
| item 1 | insulating body
part-no. 710128-009-02-0
through
part-no. 710128-009-20-0 | PA 66 Frianyl A63 V0 brown (unbreakable) flame resistant and self-extinguishing, according to UL 94V-0, stated under the File-No. E86034 (M); temperature range -40°C to +125°C, for short time up to +185°C |
| item 2 | connector body M3 complete
part-no. 750351-01 | brass CuZn39Pb2
0.5-1 µm copper plating over 4µm nickel plating |
| item 3 | contact Ø1.8mm
part-no. 717063-8301 | berylliumcopper CuBe F520
5µm silver plating over 2µm nickel plating (standard) |
| item 4 | terminal screw M3
part-no. 795047-01 | steel quality 8.8
4µm nickel plating over 8µm copper plating (standard) |
| item 5 | wire protector
part-no. 710079 | copper alloy CuSn6
5-8µm tin plated |

Diez ansatzpunkte aufeinander der die
 Abhängig sein verhalten, sind die
 die die die die die die die die die
 die die die die die die die die die
 die die die die die die die die die

- T
- MW
- QS
- TPSB
- TPK
- TPR
- TAHR
- MAVA
- MAVA-E
- MWLR
- TPB
- TAVB
- MAVR
- MWLB
- TNSF
- TNST
- MAVT
- CTkap/ffir
- Korlam
- MAWS

Verwendungsbereich		Zul. Abv.	Oberfläche	Maßstab 4:1	Codewicht
RIACON USA				Markatoff, Rohteil	Markatoff-Artikel-Nummer
		Datum	Name	Benennung	
		Bearb. 26.08.96	JK	data sheet	
		Dep.		plugable series type 09/10 ps 5mm	
03	ZM 207/89	14.06.99	Ba.		
04	ZM 015/89	11.05.99	Ba.		
03	ZM 375/88	15.10.88	Ba.		
02	ZM 245/87	13.06.87	JK		
01	ZM 406/86	28.09.86	JK		
RIA				Artikel-Nummer	Blatt
				31009/31010	9-7221
Zust	Zustellung	Datum	Name	Erw. d.	Erw. f.
			CAD-Nr.: 3100033		