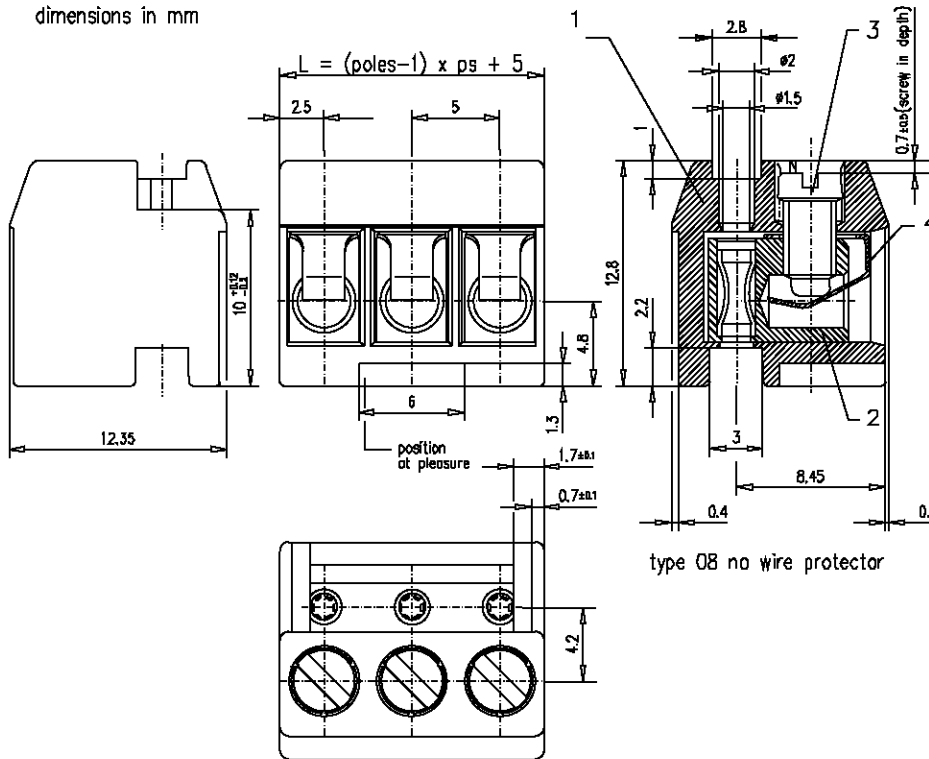


dimensions in mm



Technical Data

Insulation co-ordination according to DIN/VDE 0110-1 04.97

pin spacing
voltage

surge voltage

Insulation material group
minimum clearances or creepage distances
maximum current
tightening torque
at connected nominal diameter
wire range

Additional wire sizes and/or combinations of same size wires as follows:

- # - Wire range extended to No. 30 AWG for field-wiring.
- + - Two same size wires No. 22-16 AWG Cu, Sol/Stl for field-wiring.
- No. 30-16 AWG Cu Sol/Stl factory-wiring.

rated cross section
mm²

contact resistance

withdrawing force
max. limiting temperature
min. limiting temperature
climatic class

type of protection
according to IEC 529
number of poles
wire strip length
approvals

according to:

UL		VDE	
0.197 in. 300V	0.394 in. 600V	5mm 125V-eff	10mm 500V-eff
		according to VDE 0110	
		degree of contamination 3	
		2.5kV 6kV	
		at overvoltage category II	
		Insulating material k: 600 & 6 CT	
		2.3mm	
		at connected solid wire #1.8mm	
		10A	
		0.5 Nm max.	
		#0.4mm - #1.8mm	

15A
7 lb-in
AWG Cu, Sol/Stl wire
No. 22-12 #, +

(single-wire) stranded wire AWG
2.5 1.5 12

6.5mΩ at I=500mA after 100 plug-contacts per pole measured from the clamping point via the header to printed-circuit board per circuit 0.75N ... 3.5N

+125°C
-40°C
40/125/56 according to DIN IEC 68-1

IP 20 at connected nominal diameter

2 - 24 poles

6mm

type 07 UL File E121004 CSA File 85368 SEV

type 08 SEV

Materials

- | | | |
|--------|---|---|
| item 1 | insulating body
part-no. 710029-007-02-0
through part-no. 710029-007-24-0 | PA 66 Frianyl A63 V0 brown (unbreakable) flame resistant and self-extinguishing, according to UL 94V-0, stated under the File-No. E86034 (M);
temperature range -40°C to +125°C, for short time up to +185°C |
| item 2 | connector body M3 complete
part-no. 750328 | brass CuZn39Pb2
4mm nickel plating over 0.5-1mm copper plating |
| item 3 | contact #1.8mm
part-no. 717063-8301 | berylliumcopper CuBe F520
5mm silver plating over 2mm nickel plating passivated (standard) |
| item 4 | terminal screw M3
part-no. 795047-01 | steel quality 8.8
4mm nickel plating over 8mm copper plating (standard) |
| item 4 | wire protector
part-no. 710079 | copper alloy CuSn6
5-Bern tin plated |

Verwendungsbezeichnung RIACDN USA		Zul. Abw.	Überprüfen	Kaufort 4; 1	Gezeichnet
				Markstoff, Rohled	Markstoff-Artikel-Nummer
06	ZW 245/87	15.06.97	JK	Datum	Name
07	ZW 406/96	26.08.96	JK	Bearb.	18.02.92
08	ZW 374/96	22.08.96	WFM	Capr.	
09	ZW 148/96	03.04.96	Tr.	Norm	
0K	ZW 274/85	12.07.96	Ba.		
0L	ZW 318/94	23.11.94	Tr.		
10	ZW 207/99	14.07.99	Ba.		
00	ZW 015/99	14.07.99	Ba.		
Zust.	Zustellung	Datum	Name	CAD-Nr.	3100782
				Era. d.:	
				Ere. f.:	
				Artikel-Nummer	31007/31008
				Tafel-Code	9-7221
				Blatt	

Die gesamte elektrische Ausrüstung darf ohne
 Ausnahme weder verriegelt, noch dürfen sie
 die elektrischen Kontakte, und alle auf diese
 bezogenen Bauteile, mit einem Schlüssel
 öffnen. Müssen nicht verriegelt werden.

T
 MW
 QS
 TPSP
 TPX
 TPR
 TAVR
 MAYA
 MAYA-E
 MMLR
 TPB
 TAVB
 MAVR
 MMLD
 TMSF
 TYST
 MAYT
 CTEp21
 Kontrom
 MAMS